

## READ CAREFULLY BEFORE INSTALLING THE FIXTURE. KEEP THE INSTRUCTION FOR FUTURE REFERENCE.

Lightide AC emergency LED lights must be wired in accordance with the National Electrical Code and all applicable local codes. Proper grounding is required for safety. User may use accessories and spare parts (provided together with products) for installation.

## WARNING

**RISK OF ELECTRIC SHOCK.** Make sure power supply is OFF before installing or maintaining fixture. No user serviceable parts inside.

Never perform maintenance or cleaning while fixture is energized. Disconnect power and allow fixture to cool before maintaining.

## INSTALLATION

Check if the input voltage matches with label of products.

### Step 1:

- Install the "L" bracket and Mount Bolt into emergency driver.
- Install the emergency driver on the top of fixture.
- Tighten mount bolt to ensure that it won't come off.

### Step 2:

- Mount J-box on the "L" Bracket.
- Install Cable Gland onto the J-Box to protect cable from damaging.

### Step 3:

- Connect the LED driver white/black line of the AC IN with the battery AC Out. The green ground wire must be earthed inside of the junction box.
- Connect output of purple and grey wire from the emergency driver with DIM IN of led driver.
- Red wire does not need if there is no DC12V sensor.
- Hang the fixture on the hook.

### Step 4:

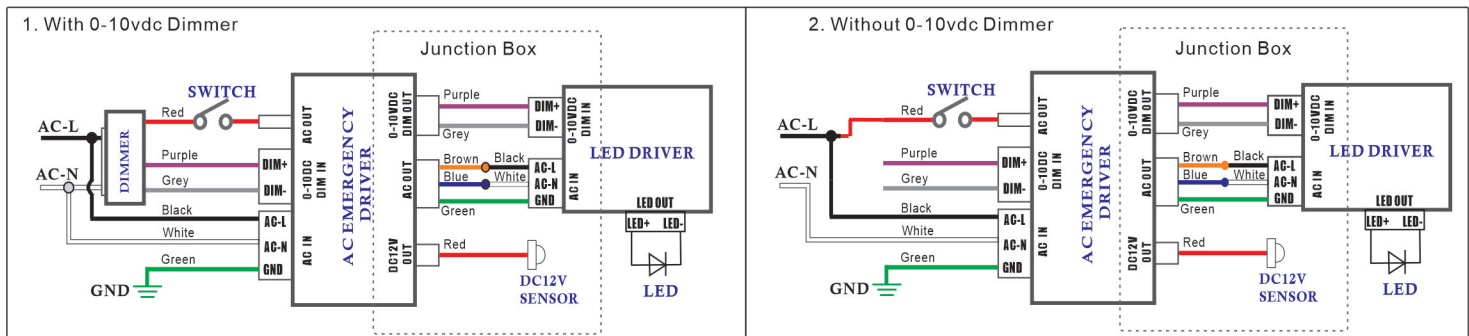
- Connect battery with AC Power as per wire diagram.
- Emergency Test: Press test switch on the side of battery to make sure the emergency work normally.

## CAUTIONS

- MIN 75°C SUPPLY CONDUCTOR
- THIS PRODUCT MUST BE INSTALLED IN ACCORDANCE WITH THE APPLICABLE INSTALLATION CODE BY A PERSON FAMILIAR WITH THE CONSTRUCTION AND OPERATION OF THE PRODUCT AND HAZARDS INVOLVED.

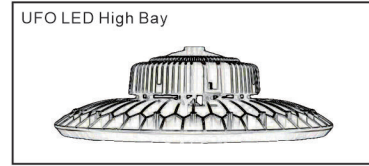
In case of any change for the products, Lightide will keep the right to inform to our customers in advance.

## WIRE DIAGRAM



## WHAT'S IN THE BOX

- One (1) UFO LED High Bay Fixture
- One (1) Emergency Battery
- One (1) "L" Bracket
- Two (2) Cable Gland
- One (1) Junction Box
- One (1) Mount Bolt
- Seven (7) Wire Connector
- One (1) Manual



## TOOLS NEEDED

This LED High Bay requires very few tools for installation. A screwdriver and a pair of wire-cutter will help to install the hook and fasten the hanging ring.



## INSTALLATION PIC.

