

Catalog

Type

Note

Ver C 2018-06-01

# Post Top LED Luminaire

## DESCRIPTION

Lightide Post Top LED Luminaire provides die-casting aluminum alloy heat sink. Powder-coating finish especially is suitable for outdoor corrosion and wet/ damp location. DLC qualification and 5 years warranty keep better quality and long term after-sales service. The luminaire can be installed for garden, road, parking lot lighting, square and others.

## CONSTRUCTION & MATERIALS

- Die-casting aluminum alloy housing
- Copper or stainless steel fastener
- Glass lens
- Polyester powder-coated finish, rust and corrosion proof, stabilized to extreme climate changes without cracking or peeling
- Installed with 3" max. diameter pole

## ENVIRONMENTAL SYSTEM

- Outdoor wet location

## FINISH

- Black

## ELECTRICAL SYSTEM

- Input voltage 100-277VAC, 50/60Hz (200-480vac available)
- ETL/cETL listed
- DLC qualified
- 1-10VDC dimmable

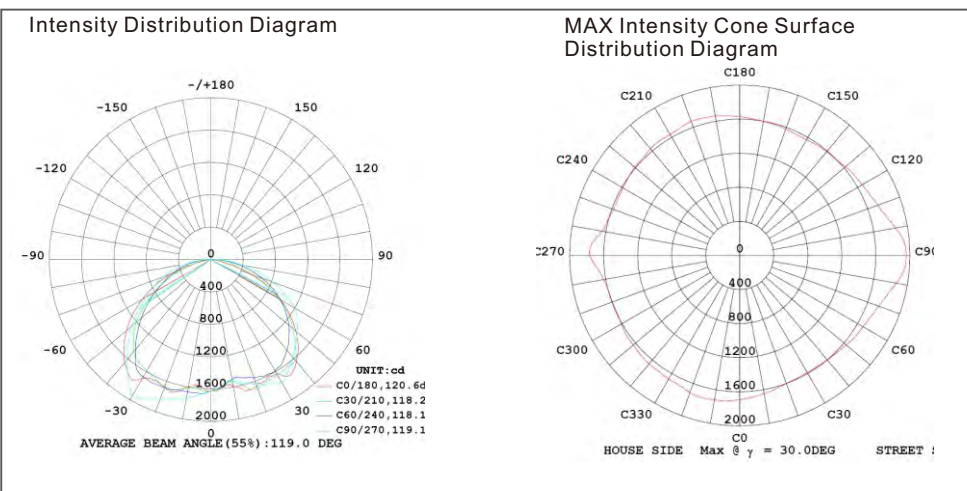
## OPTICAL SYSTEM

- 124 lm/w
- Color temperature: 3000K, 4000K, 5000K. Other color temperature available for special order, consult factory for lead time.
- Photocell for dusk-dawn work mode available
- Motion sensor available

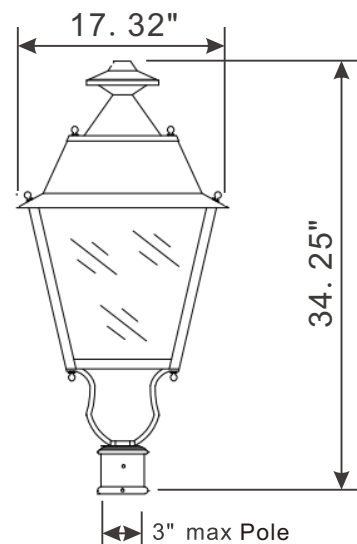
## WARRANTY

5 Years

## LIGHT DISTRIBUTION



## DIMENSION



# Post Top LED Luminaire

Catalog

Type

Note

Ver C 2018-06-01

## DATA SHEET

Model#	LT-PTB50-30K	LT-PTB50-40K	LT-PTB50-50K
LED Power	46W	46W	46W
Lumen Output	5120 lm	5780 lm	5787 lm
Input Voltage	100-277VAC	100-277VAC	100-277VAC
Power Factor	>0.90	>0.90	>0.90
Color Temperature	3000K	4000K	5000K
CRI	>80	>80	>80
Beam Angle		120°	
L70		>50,000 hrs	
Operating Temp.		-20°F to 104°F	
Housing	Die-cast aluminum with powder coating		
Dimmable	Standard 1-10VDC (10-100%)		
Warranty	5 Years		
EMC/FCC/IC Std.Standard	EN 55015, EN61547, EN61000-3-2/3, FCC part 15, ICES-005		
Safety Standard	EN61347-1, EN61347-2-7, UL 924, CSA C.22.2 NO. 141		
Certification	ETL/cETL,RoHs, DLC qualified		

## ORDER INFORMATION

Sample Number: LT-PTB50-HV-30K-MS

Com.	Family Name	Wattage	Voltage	CCT	Finish	Control Mode
LT Lightide	PTB=Post Top Type B	50=50W	Blank=100-277VAC HV=200-480VAC	30K=3000K 40K=4000K 50K=5000K	Blank=Black BN=Bronze	DM=0-10VDC Dim STD. PC=Photocell MS= Motion sensor

## PACKAGE

Model#	QTY/CTN	N. W. /CTN	G. W. /CTN	Carton Size
LT-PTB50	1 piece	7.8 Kg	9.3 Kg	48X48X45 cm