

LT-SGSAL-EM

EMERGENCY BACKUP LED CANOPY LIGHTS



CONSTRUCTION & MATERIAL

Vandal-proof die-casting aluminum alloy housing and shatter proof polycarbonate diffuser

EMERGENCY LIGHTING

Ni-MH battery 90~180 minutes of emergency work time.

EXCELLENT PERFORMANCE

Full fixture outputs up to 120 lumens per watt. Replacing up to 250W-400W MH by 90W canopy lights led.

ENERGY EFFICIENCY

In extreme contrast to conventional metal-halides, this canopy lights led can bring in 80% of energy savings.

POWER OPTION

40W, 60W, 90W

LONG LIFETIME

At 8 hours daily use, Lightide' canopy lights LEDs are rated to last 17 years.

5-YEAR WARRANTY

No-compromise warranty covered.

LISTINGS

DLC Premium, ETL/cETL Wet Location. IP65 waterproof.

The Lightide logo, featuring the word "LIGHTIDE" in a bold, white, sans-serif font. The letter "i" is stylized with a dot above it, and the "L" is a simple, blocky shape.

EMERGENCY BACKUP LED CANOPY LIGHTS

Emergency backup LED garage lights provide vandal-proof die-casting aluminum alloy heat sink and high shock-proof polycarbonate diffuser. UL/CE approved battery backup offers 90~180 min. emergency work time. DLC premium led garage & canopy light offers 5 years warranty. Occupancy sensors can be available for parking lot, garage, warehouse, mail, office and others.

Performance

Light Output: 120 lumens per watt
Input Power: 40/60/90 watts
Input Voltage: 100-277vac
CCT: 3000K, 4000K, 5000K, 5700K
Discharge time: 90 min. ~180 min
Charging cycles: >500 times
Charging time: 24 hrs.
EMC/FCC/IC Std.: EN55015, EN61547, EN61000-3-2/3, FCC part 15, ICES-005
Safety Std.: EN61347-1, EN61347-2-7, UI924, CSA C.22.2 NO. 141
Certificate : ETL/CETL/CE certified, DLC premium
Weight: 5.5 Kg

Refractor Option

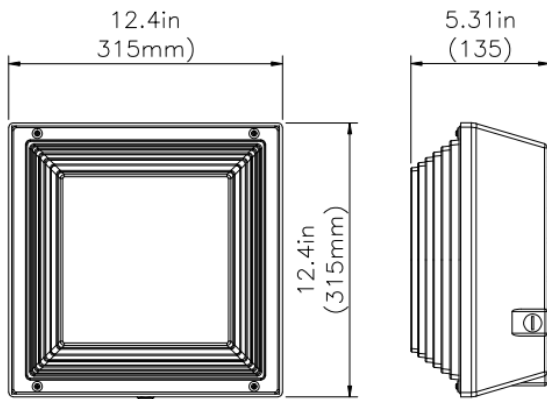


**Low Profile
(ETL/cETL
DLC PREMIUM)**



**High Profile
(ETL/CETL)**

Dimension (Low Profile)



Occupancy Sensor



Motion Sensor



Photocell

Order Information

Sample Number: LT-SGSAL-40W-HV-30K-EM

Com.	Family Name	Cover Type	Watts	Voltage	CCT	Finish	Control Mode
LT Lightide	SGSA Square Gas Station Light Type A	H=High L=Low	40W 60W 90W	Blank=100-277VAC	30K=3000K 40K=4000K 50K=5000K 57K=5700K	Blank=Bronze	DM=0-10VDC Dimming PC=Photocell MS= Motion sensor EM= Emergency

MORE QUALIFIED PRODUCTS, PLEASE CONTACT

Email: info@lightideled.com
<https://www.lightideled.com>
 Lightide Manufactory Co., Ltd All right reserved.

