

## EMERGENCY BACKUP LED CANOPY LUMINAIRE

Catalog #

Page

1 of 2

Note

Ver A 2018-08

### DESCRIPTION MATERIALS

LED Canopy Luminaire Emergency backup provides Ni-MH or Lithium battery for emergency usage. 90 minutes emergency time is standard version. Ip65 waterproof sealed luminaire is suitable for outdoor corrosion and wet/ damp location. Motion sensor or photocell sensor can be available for parking garage lighting, gas station, warehouse, mail and others.

### CONSTRUCTION & MATERIALS

- Dia-casting aluminum alloy housing, fully sealed to be dirt and bug proof
- Shock-proof polycarbonate refractor with UV inhibitors
- IP 65 rating waterproof protection
- Polyester powder-coated finish, rust and corrosion proof, stabilized to extreme climate changes without cracking or peeling
- Internal Ni-MH or Lithium battery
- 90min or 180 min. emergency time.
- 24 hrs. charging time.
- >500 times charging cycle

### MOUNTING AND WIRING

- Three 3/4" mounting holes plus one on top for mounting. One installation bracket with screws are supplied in package

### ENVIRONMENTAL SYSTEM

- Outdoor wet/damp location

### FINISH

- Bronze

### ELECTRICAL SYSTEM

- Input voltage 100-277VAC, 50/60Hz
- ETL/cETL/CE/Rohs, DLC Premium
- Emergency power from 8W-15W

### OPTICAL SYSTEM

- Up to 120 LPW
- Color temperature: 3000K, 4000K, 5000K, 5700K.

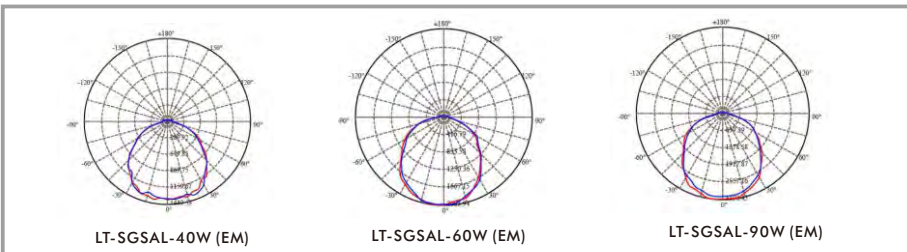
### LIGHTING CONTROL

- 0-10vdc/PWM dimming
- Occupied sensor available

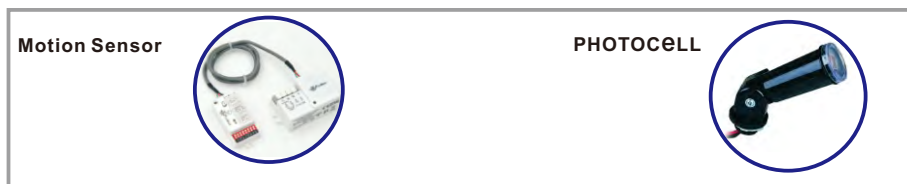
### WARRANTY

5 Years

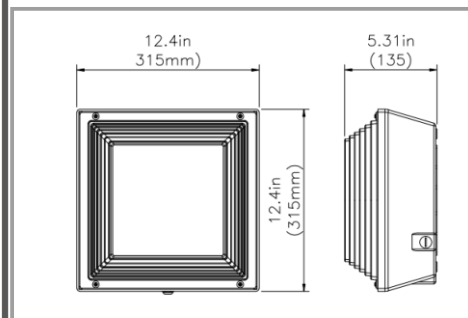
### LIGHT DISTRIBUTION



### ACCESSORIES



### DIMENSION



# EMERGENCY BACKUP LED CANOPY LUMINAIRE

**Catalog #**
**Page**
**1 of 2**
**Note**
**Ver A 2018-08**
**DATA SHEET**

Model#	LT-SGSAL-40W (EM)	LT-SGSAL-60W (EM)	LT-SGSAL-90W (EM)
Rated Power	39W	58W	88W
Lumen Output (@5000K)	4700 lm	6800 lm	10200 lm
Input Voltage	100-277 VAC	100-277 VAC	100-277 VAC
Power Factor	> 0.92	> 0.92	> 0.92
Emergency Power	8W	10W	15W
Emergency Time	90 min. ~ 180min.	90 min. ~ 180min.	90 min. ~ 180min.
Battery	UL Approved Ni-MH (Li-Fe optional)		
Charge Time	24 hours		
Charge Cycles	>500 times		
Color Temperature	3000K/4000K/5000K/5700K		
CRI	>70		
L70	>50,000 hrs		
Operating Temp.	-30°C~+50°C		
Store Temp.	-40°C~+60°C		
Material	Vandal-proof Die-casting aluminum body(Bronze), Shatter-proof PC diffuser		
Installation	Ceiling surface		
Warranty	5 Years (Battery 3 years)		
Environment	Suitable for damp/wet locations, IP 65 outdoor		
Certification	ETL/cETL, DLC premium. CE/RoHs		

**ORDER INFORMATION**

Sample Number: LT-SGSAL-40W-30K-EM

Com.	Family Name	Profile	Wattage	Voltage	CCT	Control Mode
LT Lightide	SGSA Square Gas Station Light	H=High L=Low	40W 60W 90W	Blank=100-277VAC	30K=3000K 40K=4000K 50K=5000K 57K=5700K	DM=0-10VDC Dimming PC=Photocell MS= Motion sensor EM= Emergency backup

**PACKAGE**

Model#	QTY/CTN	N. W. /CTN	G. W. /CTN	Carton Size
LT-SGSAL-40W (EM)	4 pieces	21.6 Kg	23.8 Kg	69X36X34 cm
LT-SGSAL-60W (EM)	4 pieces	21.6 Kg	23.8 Kg	69X36X34 cm
LT-SGSAL-90W (EM)	4 pieces	21.6 Kg	23.8 Kg	69X36X34 cm