



PTA Series

LED Post Top



PTA

LED POST TOP



Round style LED Post Top provides the traditional aesthetic of an old-style lantern with the versatility, cost-savings and benefits of advanced LED technology. The LED Post Top Colonial is a commercial –grade luminaire constructed of durable die-casting aluminum and finished with long-lasting protective powder coat paint. Fasteners are stainless-steel, captive, and tool-less.

This LED post top light will be mounted on poles and located in roadways, pathways, parking lots, and commercial and educational campuses.

PTA SERIES

LED Post Top

Upper Cover

Die-casting aluminum alloy.
Waterproof IP 65 rated &
Powder coating finish for
rust-proof



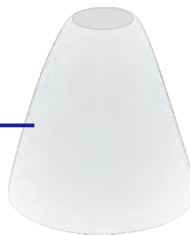
LED Module

LM 80 High efficacy of SMD
LED chips. High efficacy
LED boards with dual copper
cladding for thermal dissipation



Reflector

Unique design to guide the light
spread on the horizontal
direction with wide beam
angle 145°



PC Cover

Make sure the rain can not leakage
into the pole and get uniform
light output



LED Driver

- UL Listed, CE & RoHS certificate
- 100-277vac
- Built-in 4-6KV surge protection



Base

Match with Diameter 60mm of
poles



DESCRIPTION

Lightide Post Top LED Luminaire provides mushroom profile with new design of die-casting aluminum alloy heat sink. Powder-coating finished housing especially are suitable for outdoor corrosion and wet/ damp location. 5 years warranty guarantee long application for garden, road, parking lot lighting, square and other positions.

CONSTRUCTION & MATERIALS

- ◆ High-duty die-casting aluminum alloy housing
- ◆ LED Module design, easy maintenance
- ◆ Shatter-proof Polycarbonate lens
- ◆ Stainless steel fastener
- ◆ Polyester powder-coated finish, rust and corrosion proof, stabilized to extreme climate changes without cracking or peeling
- ◆ Fit for Ø60mm (Ø2.4") of pole

ENVIRONMENTAL SYSTEM

- ◆ IP 66 rated waterproof
- ◆ Used for outdoor wet/damp location

FINISH

- ◆ Black

Cover

- ◆ Clear (c)/Frosty (f) for options

ELECTRICAL SYSTEM

- ◆ Input voltage 100-277VAC, 50/60Hz
- ◆ 200-480vac available
- ◆ ETL/cETL listed,
- ◆ CE/RoHS

OPTICAL SYSTEM

- ◆ 90~100 lm/w (Frosty)
- ◆ 100~120 lm/w (Clear)
- ◆ Color temperature: 3000K, 4000K, 5000K, 5700K. Other color temperature available for special order, consult factory for lead time.
- ◆ Beam angle 145°

LIGHTING CONTROL

- ◆ 0-10vdc dimming available
- ◆ Meet 4-6KV surge immunity level (IEC 61000-4-5)
- ◆ Photocell for dusk-dawn work mode available

WARRANTY

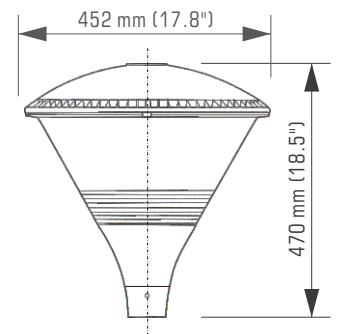
- ◆ 5 Years

STANDARD

- ◆ EN61347-1, EN61347-2-13, EN60598-2-1, EN60598-1
- ◆ UL 924, UL 1598, CAN/CSA -C.22.2 NO. 250.0,



DIMENSION



DATA SHEET

Model#	LT-PTA30	LT-PTA40	LT-PTA50	LT-PTA60	LT-PTA75
Rated Power	30W	40W	50W	60W	75W
Lumen Efficacy	90~120 LPW	90~120 LPW	90~120 LPW	90~120 LPW	90~120 LPW
Input Voltage	100-277VAC	100-277VAC	100-277VAC	100-277VAC	100-277VAC
Power Factor	> 0.90	> 0.90	> 0.90	> 0.90	> 0.90
CCT	2700K~5700K	2700K~5700K	2700K~5700K	2700K~5700K	2700K~5700K
CRI	>80	>80	>80	>80	>80
L70	>50,000 hrs	>50,000 hrs	>50,000 hrs	>50,000 hrs	>50,000 hrs
Operating Temp.	-40°F to 122°F	-40°F to 122°F	-40°F to 122°F	-40°F to 122°F	-40°F to 122°F
Beam Angle	145°	145°	145°	145°	145°

ORDER INFORMATION

Sample Number: LT-PTA50-HV-30K-DM-P

Com.	Family Name	Wattage	Voltage	CCT	Cover	Control Mode
LT	PTA	30=30W 40=40W 50=50W 60=60W 75=75W	Blank=100-277VAC HV=200-480VAC	30K=3000K 40K=4000K 50K=5000K 57K=5700K	F=Frosty C=Clear	DM=0-10VDC Dimming PC=Photocell

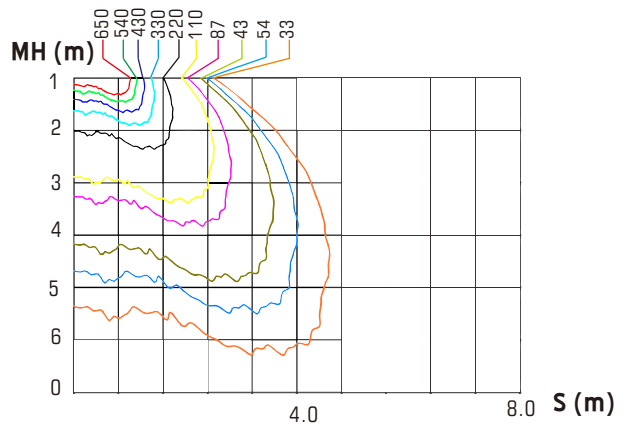
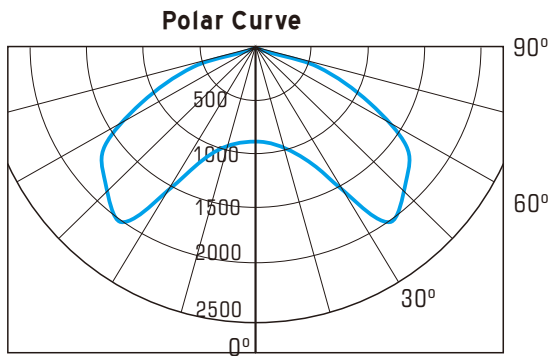
PACKAGE

Model#	QTY/ Carton	N. W.	G. W.	Carton Size	Loading QTY In 40 GP
LT-PTA30/40/50/60/75	1 piece	5.50 Kg	6.50 Kg	49x49x53 cm	384 CTNS

PHOTOMETRICS

MODEL# LT-PTA60 Type V, 60W, 6635.61 lm

c0 Plane Isolux Diagram (Unit: lx)



MOUNT ADAPTER

Depending on the type of light, you may need to have the right mounting-option available too. You can also buy Tenon Adaptor, Bullhorns and Spoke from us, suitable for wooden, metallic, or concrete poles - square or round.

Bullhorn Style	<p>RPB04SV Tenon</p>	<p>RPB04L2V Twin Bullhorn</p>	<p>RPB04L3V Triple Bullhorn</p>	<p>RPB04L4V Quad Bullhorn</p>
Spoke Style	<p>RPS04T2V Twin Spoke</p>	<p>RPS04T2H Twin Spoke</p>	<p>RPS04T3H Triple Spoke</p>	<p>RPS04T4H Quad Spoke</p>