



LIGHTIDE
COMMERCIAL & EMERGENCY



SBAL SERIES

LED Parking Lot Light



SBAL Series

G3 LED Area Lights



Led Area lights feature high efficacy of 140 LPW as alternatives to MH area lights and street lights. Moreover, commercial LED pole light fixtures feature Type , II, III, and Type V distribution that lights up the area. In general, these outdoor led pole lights usually are suitable for parking lots, pathways, sidewalks, street lighting, etc.

Street,
Parking Lot,
Corridor,
Other outdoor illumination.

SBAL

LED Parking Lot Lights

135~150 LPW | Ultra-slim | Dusk-Dawn

Catalog#	Type
Comment	
Project	Date

DESCRIPTION

Introducing our high efficacy LED parking lot lights with a slim profile and surge protection of 10KV. These lights are designed to provide exceptional illumination while ensuring durability and longevity. With a high efficacy of 140 LPW and a built-in photocell for automatic dusk to dawn operation, our LED parking lot lights are the perfect choice for outdoor lighting applications. Additionally, they are available in various beam angles to suit different lighting requirements. Upgrade to our LED parking lot lights for reliable and energy-efficient illumination.

DATA SHEET

Model#	LT-SBAL100C	LT-SBAL150C	LT-SBAL200C	LT-SBAL250C	LT-SBAL320C
Rating	100W	152W	200W	250W	300W
Lumen Output	14000 lm	21280 lm	28100 lm	35000 lm	42630 lm
Input Voltage	100-277VAC	100-277VAC	100-277VAC	100-277VAC	100-277VAC
Power Factor	>0.90	>0.90	>0.90	>0.9	>0.90
CRI	>80	>80	>80	>80	>80
Dimension (in)	20-7/8x12-3/8x7-1/4	20-7/8x12-3/8x7-1/4	20-7/8x12-3/8x7-1/4	24-1/2x12-3/8x7-1/4	24-1/2x12-3/8x7-1/4
Weight (lbs)	12.4 (13.56*)	12.4 (13.56*)	12.4 (13.56*)	17.1 (18.22 *)	17.1 (18.22 *)
Carton	2.29"x1.62"x0.67"	2.29"x1.62"x0.67"	2.29"x1.62"x0.67"	2.96"x1.62"x0.67"	2.96"x1.62"x0.67"
Work Temp.	-20°F to 122°F	-20°F to 122°F	-20°F to 122°F	-20°F to 122°F	-20°F to 122°F
EMC/FCC	EN 55015, EN61547, EN61000-3-2/3, FCC part 15, ICES-005				
Safety Std.	EN61347-1, EN61347-2-7, UL 1598, CSA C.22.2 NO. 141.				

Note: Default slip fitter. Mark * Base on EA base.

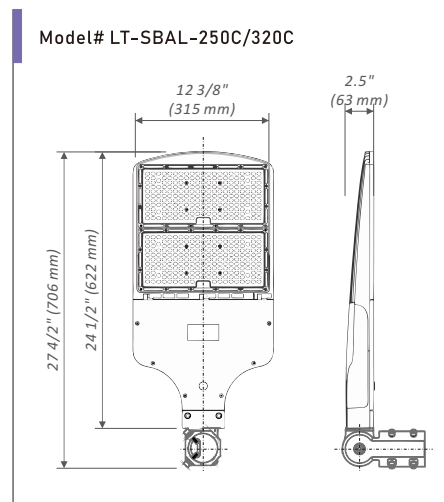
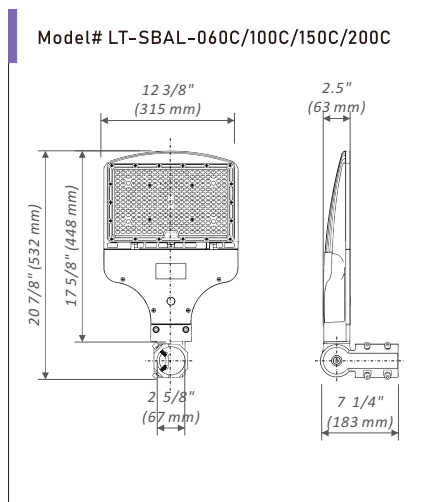
ORDER INFORMATION

Sample Number: LT-SBAL150C-HV-30K-SF-MS-T5

Com.	Series	Wattage	Voltage	CCT	Adapter Type	Control Mode	Beam Angle
LT	SBAL	060C=60W 100C=100W 150C=150W 200C=200W 250C=250W 320C=300W	Std.=100-277VAC HV=250-528VAC	30K=3000K 40K=4000K 50K=5000K 57K=5700K	SF=Slipfitter EA= Adjustable Arm EX1= Extension Arm 1 * EX2= Extension Arm 2 *	PC = Photocell PC1= Short Cap	T3=Type III T4=Type IV * T5=Type V

* Consult our sales for detail.

DIMENSION (SLIP FITTER)



CONSTRUCTION & MATERIALS

- ◆ Heavy duty die-cast aluminum housing, fully sealed to be dirt and bug proof.
- ◆ New Up-Down Penetrative heat sink design to optimize thermal transfer and maximize performance and life of LED
- ◆ IP 66 rated waterproof
- ◆ Photocell mode available
- ◆ Built-in 6KV or 10KV surge device
- ◆ Install directly onto the pole or surface with optional adapters
- ◆ L70 > 60,000 hrs

FINISH

- ◆ Black

ENVIRONMENTAL SYSTEM

- ◆ ETL/cETL, DLC
- ◆ CE, RoHS
- ◆ Outdoor wet/damp locations

ELECTRICAL SYSTEM

- ◆ Input voltage 120-277VAC, 50/60Hz
- ◆ 250-528VAC available

OPTICAL SYSTEM

- ◆ Light distribution: Type T3: Asymmetric Wide Type III, T5: Symmetric Medium Type V
- ◆ High performance 140 lm/w output

WARRANTY

- ◆ 5 Years

STANDARD

- ◆ EN61347-1, EN61347-2-13, EN60598-2-1, EN60598-1
- ◆ UL 924, UL 1598, CAN/CSA -C.22.2 NO. 250.0,

APPLICATION

- ◆ Parking Lot
- ◆ Highway
- ◆ Industrial area
- ◆ Sidewalk
- ◆ Garden
- ◆ School
- ◆ Street

Lightide Manufacturing Co., Ltd.

SBAL

LED Parking Lot Lights

135~150 LPW | Ultra-slim | Dusk-Dawn

Catalog#

Type

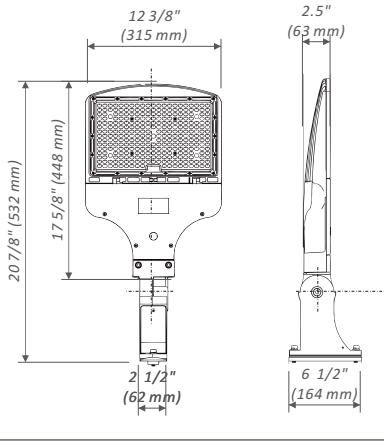
Comment

Project

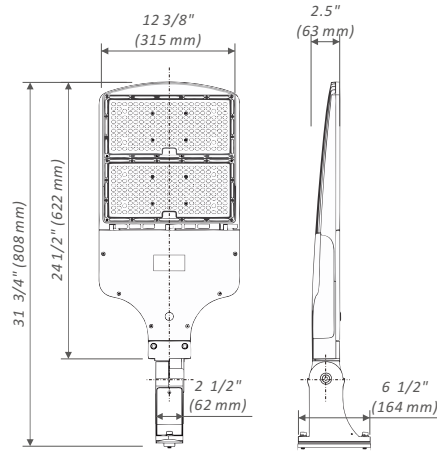
Date

DIMENSION (EA BASE)

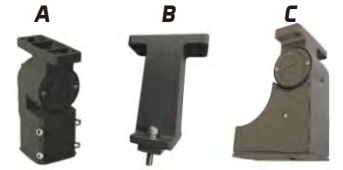
Model# LT-SBAL-060C/100C/150C/200C



Model# LT-SBAL-250C/320C



ACCESSORIES

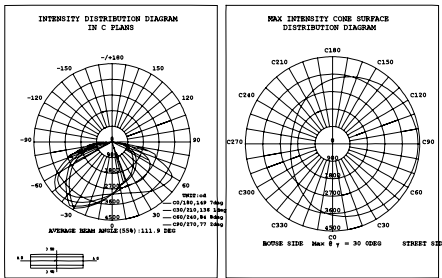


SF= Slipfitter EX1=Extension EA= Adjustable Arm

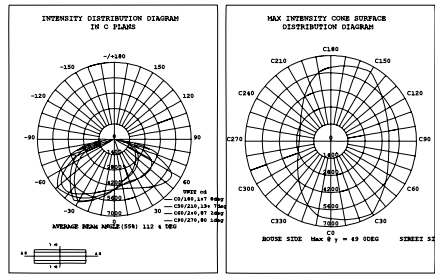


EX2=Extension TR=Trunion PC1=Photocell

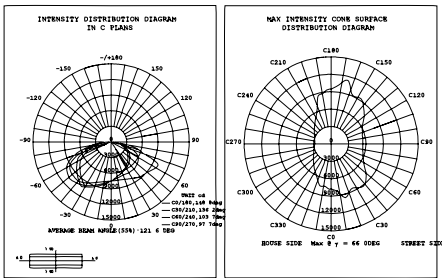
PHOTOMETER (T3)



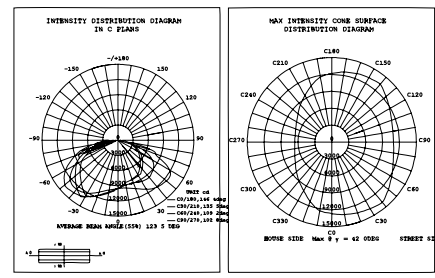
LT-SBAL100C



LT-SBAL150C



LT-SBAL250C



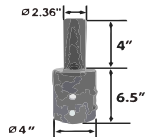
LT-SBAL320C

Adjustable Lighting Angle:
Easy to Change Light Direction
(180 degree Rotatable)

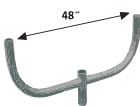
Selectable Mounting Methods:
Suitable for Both Square & Round Pole (Installation Accessory Included)

Slipfitter

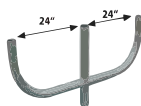
POLE MOUNT ACCESSORIES



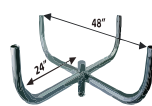
RPB045V
Tenon



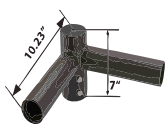
RPB042V
Twin Bullhorn



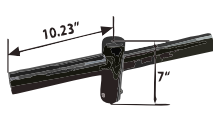
RPB043V
Triple Bullhorn



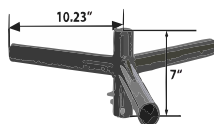
RPB044V
Quad Bullhorn



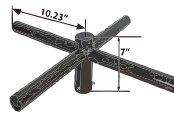
RPS04T2V
Twin Spoke



RPS04T2H
Twin Spoke



RPS04T3H
Triple Spoke



RPS04T4H
Quad Spoke

