



STAL SERIES

LED Area Light



STAL SERIES

G3 LED Area Lights



Led Area lights feature high efficacy of 140 LPW as alternatives to MH area lights and street lights. Moreover, commercial LED pole light fixtures feature Type , II, III, and Type V distribution that lights up the area. In general, these outdoor led pole lights usually are suitable for parking lots, pathways, sidewalks, street lighting, etc.

Street,
Parking Lot,
Corridor,
Other outdoor illumination.

| | |
|----------|------|
| Catalog# | Type |
| Comment | |
| Project | Date |

DESCRIPTION

LED area lights feature high efficacy of 140 LPW light output. They are highly customizable, allowing you to choose the color temperature, beam angle, and brightness level that best suits your needs. In addition, these area lights are also highly versatile and can be used in a wide range of applications, from parking lots and sports fields to outdoor events and building facades. They provide bright, even illumination that enhances visibility and safety in these areas.

CONSTRUCTION & MATERIALS

- ◆ Heavy duty die-cast aluminum housing, fully sealed to be dirt and bug proof
- ◆ New Up-Down Penetrative heat sink design to optimize thermal transfer and maximize performance and life of LED
- ◆ Shatter proof lens
- ◆ IP 66 waterproof protection
- ◆ Safe maintenance function available
- ◆ Install directly onto the pole with $\Phi 60$ mm
- ◆ Standard 4KV Surge protection device

ENVIRONMENTAL SYSTEM

- ◆ ETL/cETL/DLC qualification for outdoor wet/damp locations
- ◆ DLC QPL
- ◆ CE, RoHS, LVD, EMC
- ◆ IK 08 Rated (IK 09 available)

ELECTRICAL SYSTEM

- ◆ Meanwell/Sosen LED driver with 10KV surge protection line-earth
- ◆ Input voltage 120-277VAC, 50/60Hz

OPTICAL SYSTEM

- ◆ 130~140 lumens/watt
- ◆ Color temperature: 3000K, 4000K, 5000K, 5700K. Other color temperature available for special order, consult factory for lead time.
- ◆ Light distribution: Type II (85°X135°) and III (90°x140°),, V (120°).

LIGHTING CONTROL

- ◆ 0-10vdc dimming available
- ◆ Photocell

FINISH

- ◆ Black

WARRANTY

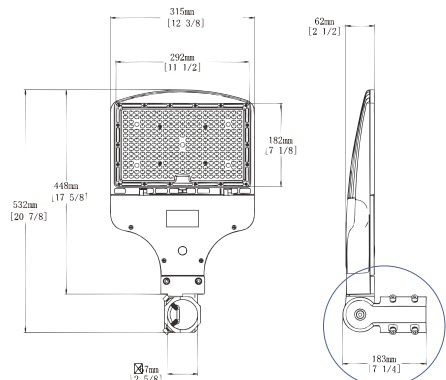
- ◆ 5 Years

STANDARD

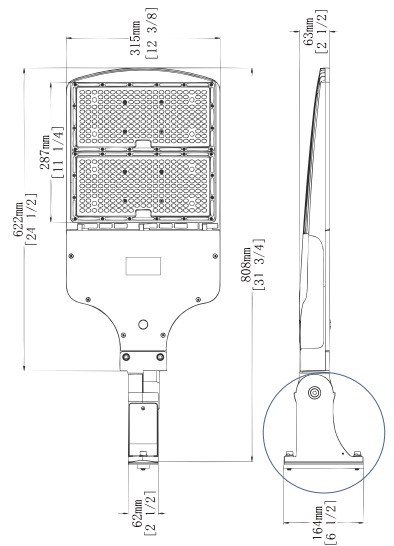
- ◆ UL 1807, UL 1598, CAN/CSA -C.22.2 NO. 250.0,
- ◆ EN 61347-1, EN 61347-2-13, EN 60598-2-1, EN 60598-1
- ◆ IEC 60598-1, IEC60598-2-3, IEC 60598-2-1
- ◆ IEC 62262:2002, IEC 60529



DRAWING



Slipfitter



Wall Mount Square Pole Mount

DATA SHEET

| Model# | LT-STAL100 | LT-STAL150 | LT-STAL200 | LT-STAL250 | LT-STAL320 |
|----------------|---|---------------------|---------------------|---------------------|---------------------|
| Rating | 100W | 152W | 200W | 250W | 300W |
| Lumen Output | 14000 lm | 21280 lm | 28100 lm | 35000 lm | 42630 lm |
| Input Voltage | 100-277VAC | 100-277VAC | 100-277VAC | 100-277VAC | 100-277VAC |
| Power Factor | >0.90 | >0.90 | >0.90 | >0.9 | >0.90 |
| CRI | >80 | >80 | >80 | >80 | >80 |
| Dimension (in) | 20-7/8x12-3/8x7-1/4 | 20-7/8x12-3/8x7-1/4 | 20-7/8x12-3/8x7-1/4 | 24-1/2x12-3/8x7-1/4 | 24-1/2x12-3/8x7-1/4 |
| Weight (lbs) | 12.4 | 13.5 | 17 | 17.6 | 17.6 |
| Carton | 2.29"x1.62"x0.67" | 2.29"x1.62"x0.67" | 2.29"x1.62"x0.67" | 2.96"x1.62"x0.67" | 2.96"x1.62"x0.67" |
| Work Temp. | -20°F to 122°F | | | | |
| EMC/FCC | EN 55015, EN61547, EN61000-3-2/3, FCC part 15, ICES-005 | | | | |
| Safety Std. | EN61347-1, EN61347-2-7, UL 924, CSA C.22.2 NO. 141. | | | | |

ORDER INFORMATION

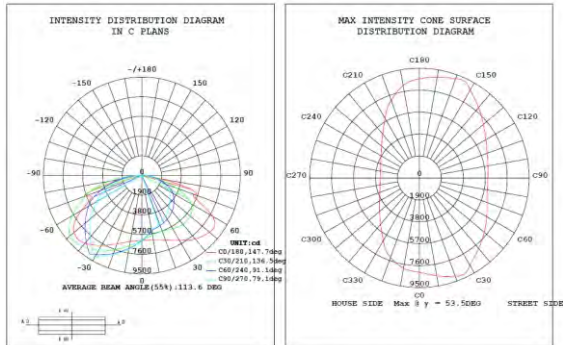
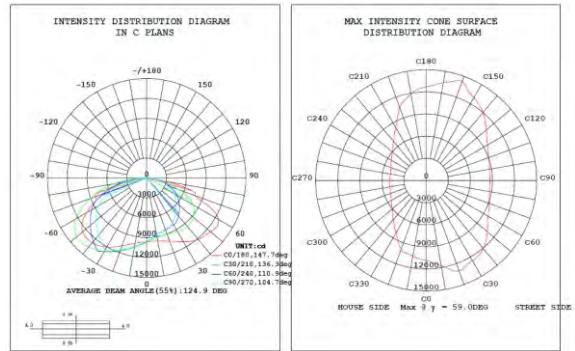
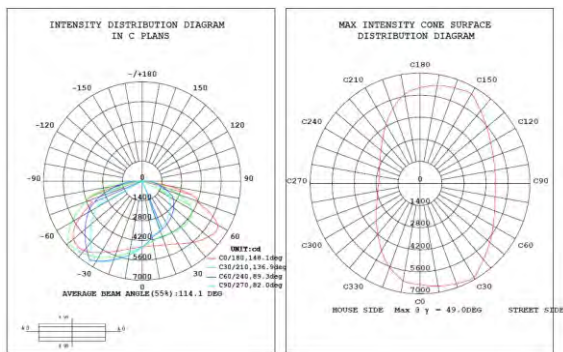
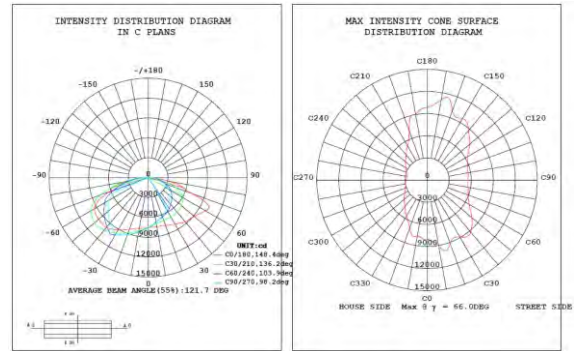
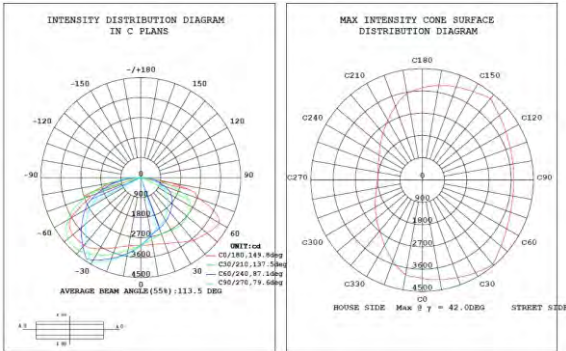
Sample Number: LT-STAL150C-HV-30K-SF-M5-T5

| Com. | Family Name | Wattage | Voltage | CCT | Adapter Type | Control Mode | Distribution Type |
|------|-------------|--|----------------------------------|--|---|------------------------------------|--|
| LT | STAL | 100=100W 150=150W 200=200W 250=250W 320=300W | Std.=100-277VAC HV=250-528VAC | 30K=3000K 40K=4000K 50K=5000K 57K=5700K | SF=Slipfitter EA= Adjustable Arm EX1= Extension Arm 1 EX2= Extension Arm 2 | PC= Photocell MS= Motion sensor | T3=Type III T2=Type II T5=Type V |

APPLICATION

- ◆ Parking Lot
- ◆ Highway
- ◆ Industrial area
- ◆ Sidewalk
- ◆ Garden
- ◆ Street

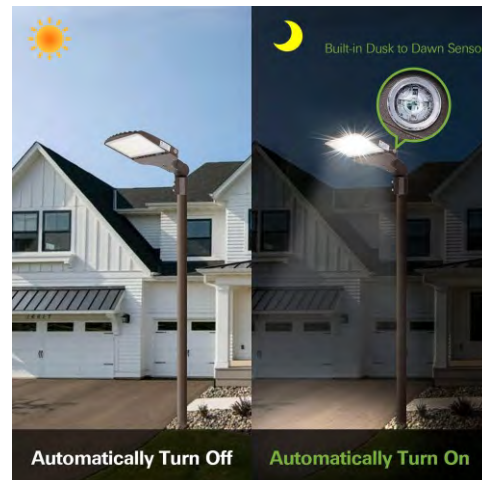
PHOTOMETER (T3)



ACCESSORIES



Slipfitter



Photocell