

LED CANOPY LUMINAIRE

DESCRIPTION

LED Canopy luminaire provides die-casting aluminum alloy heat sink and high shatter-proof polycarbonate diffuser. Powder-coating finished housing and sealed gasket especially are suitable for outdoor corrosion and wet or damp location. Motion sensor and photocell sensor can be used for parking garage lighting, gas station, warehouse, mail and others.

CONSTRUCTION & MATERIALS

- Die-casting aluminum alloy housing, fully sealed to be dirt and bug proof
- Shock-proof polycarbonate refractor with UV inhibitors
- IP 65 rating waterproof protection
- Polyester powder-coated finish, rust and corrosion proof, stabilized to extreme climate changes without cracking or peeling
- Internal UL approved Meanwell or equivalent power supply

MOUNTING AND WIRING

- Three 3/4" mounting holes plus one on top for mounting. One installation bracket with screws are supplied in package

ENVIRONMENTAL SYSTEM

- Indoor or Outdoor wet/damp location

FINISH

- Bronze

ELECTRICAL SYSTEM

- Input voltage 100-277VAC/250-480VAC, 50/60Hz
- ETL/cETL/CE/Rohs, DLC premium

OPTICAL SYSTEM

- LM 80 SMD LED
- Color temperature: 3000K, 4000K, 5000K, 5700K.
- 120 lumens per watt

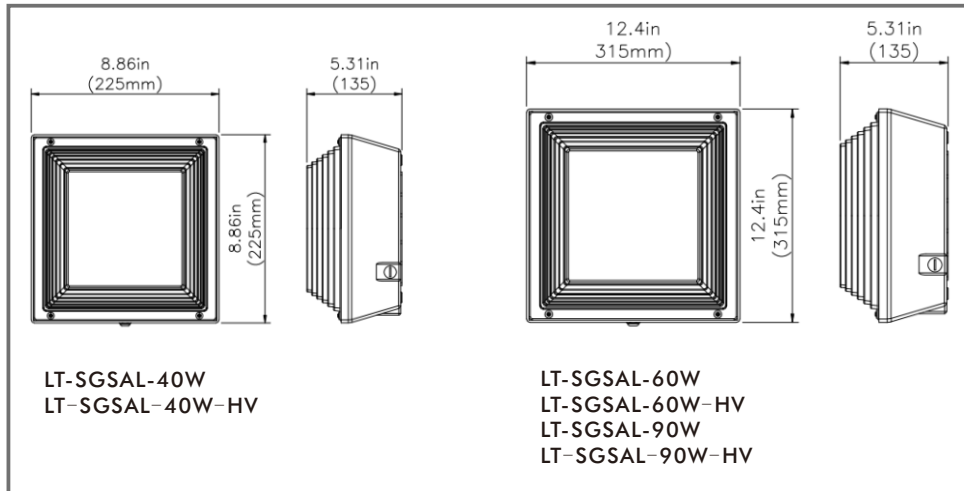
LIGHTING CONTROL

- 0-10vdc/PWM dimming
- Motion sensor
- Photocell

WARRANTY

5 Years

DIMENSION



ACCESSORIES

Photocell



Motion Sensor



LED CANOPY LUMINAIRE

DATA SHEET

Model#	LT-SGSAL-40W	LT-SGSAL-60W	LT-SGSAL-90W
LED Power	40W	60W	90W
Lumen Output @5000K	4800 lm	7200 lm	10500 lm
Input Voltage	100-277VAC, 348-480VAC		
Power Factor	0.98@100VAC 0.90 @277VAC/347-480VAC		
Color Temperature	3000K/4000K/5000K/5700K		
CRI	>70		
L70	>50,000 hrs		
Operating Temp.	-30°C~+50°C		
Store Temp.	-40°C~+60°C		
Material	Die-casting aluminum body(Bronze), PC diffuse		
Installation	Recessed outlet box or wall surface		
Warranty	5 Years		
Environment	Suitable for damp/wet locations		
Certification	ETL/cETL, DLC premium		

ORDER INFORMATION

Sample Number: LT-SGSAL-40W-HV-30K-DM

Com.	Family Name	Profile	Wattage	Voltage	CCT	Control Mode
LT Lightide	SGSA	H=High L=Low	40W 60W 90W	Blank=100-277VAC HV=347-480VAC	30K=3000K 40K=4000K 50K=5000K 57K=5700K	DM=0-10VDC Dimming PC=Photocell MS= Motion sensor
	LED					

PACKAGE

Model#	QTY/ Carton	N. W.	G. W.	Carton Size
LT-SGSAL-40W	8 pieces	17.90 Kg	19.90 Kg	52x52x35 cm
LT-SGSAL-60W	4 piece	15 Kg	17 Kg	70X37x37 cm
LT-SGSAL-90W	4 piece	15 Kg	17 Kg	70X37x37 cm