



DESCRIPTION

LED Wall Packs provide power selectable ranges of 60-80-100 watts and CCT selectable ranges of 3000K-4000K-5000K. Rotatable style of housing get more beam angle options for outdoor corrosion and wet/ damp location. The photocell sensor can be optional application for building, parking lot lighting, square, road and others.

CONSTRUCTION & MATERIALS

- ◆ Die-casting aluminum alloy housing, fully sealed to be dirt and bug proof
- ◆ Impact-proof and shatter-proof glass or polycarbonate diffuser
- ◆ IP 65 rating waterproof protection
- ◆ Polyester powder-coated finish, rust and corrosion proof
- ◆ Rotatable style
- ◆ Internal UL approved power supply

MOUNTING AND WIRING

- ◆ Mount directly over a standard outlet box or for surface wiring via any of the 3 convenient 3/4 inch threaded conduit entry hubs.

ENVIRONMENTAL SYSTEM

- ◆ Outdoor wet/damp location
- ◆ Work Temperature -30°F(-40°F) ~ +140°F (consult factory for details)

ELECTRICAL SYSTEM

- ◆ Input voltage 100-277VAC, 200-480VAC
- ◆ ETL/cETL
- ◆ CE/RoHS

LIGHTING CONTROL

- ◆ 0/1-10vdc dimming available
- ◆ Photocell
- ◆ Motion Sensor

OPTICAL SYSTEM

- ◆ 120 lm/w output efficacy
- ◆ CCT Tunable: 3000K-4000K-5000K
- ◆ Power Tunable
- ◆ Outdoor full cutoff wall-mounted area luminaires.

STANDARD

- ◆ EN61347-1, EN61347-2-13, EN60598-2-1, EN60598-1
- ◆ UL 1598, CAN/CSA -C.22.2 NO. 250.0,
- ◆ EN55015, EN61547, EN61000-3-2/3, FCC part 15, ICES-005

WARRANTY

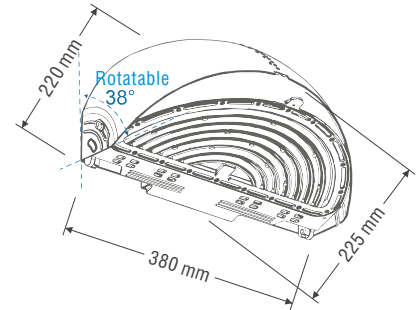
- ◆ 5 Years

FINISH

- ◆ Dark Bronze



DIMENSION



DATA SHEET

Model#	LT-WPCQ-80CPT	LT-WPCQ-060	LT-WPCQ-080	LT-WPCQ-100
Chips	Samsung /Philips 2835 SMD LED	Samsung /Philips 2835 SMD LED	Samsung /Philips 2835 SMD LED	Samsung /Philips 2835 SMD LED
Rating	60-80-100 watts Tunable	60 watts	80 watts	100 watts
Light Output (*)	120 lumens/watt	120 lumens/watt	120 lumens/watt	120 lumens/watt
Input Voltage	100-277vac	100-277vac	100-277vac	100-277vac
Power Factor	>0.92	>0.92	>0.92	>0.92
Surge Protection	Std. 6 KV (10 KV)	Std. 6 KV (10 KV)	Std. 6 KV (10 KV)	Std. 6 KV (10 KV)
CCT	3000K-4000K-5000K Tunable	3000K, 4000K, 5000K, 5700K	3000K, 4000K, 5000K, 5700K	3000K, 4000K, 5000K, 5700K
THD	<15%	<15%	<15%	<15%
CRI	>72	>72	>72	>72
L70	>50,000 HRS	>50,000 HRS	>50,000 HRS	>50,000 HRS
Work Temp. (°F)	-30~ +140	-30~ +140	-30~ +140	-30~ +140
Package Size /G.W. (CTN)	48x45x26cm/11kg	48x45x26cm/11kg	48x45x26cm/11kg	48x45x26cm/11kg
Package	2PCS/CTN	2PCS/CTN	2PCS/CTN	2PCS/CTN

ORDER INFORMATION

Sample Number: LT-WPCQ100-HV-27K-PC

COM.	SERIES	WATT	VOLTAGE	CCT	ACCESSORIES	DURATION (EM Mode)	FINISH	LENS OPTION
LT	WPCQ	060=60W 080=80W 100=100W 80CP=60-80-100W Tunable	Blank=100-277VAC HV=200-480VAC	30K=3000K 40K=4000K 50K=5000K 57K=5700K T=3000K-4000K-5000K Tunable	DM=0-10VDC Dimming PC=Photocell MS= Motion Sensor EM= Emergency Kit	STD.= 90 min. 2H = 120 min. 3H = 180 min.	Blank=Dark Bronze WH=White	Blank=Plastic GS=Glass