

Catalog

Type

Note

Ver A 2019-02

Post Top LED Luminaire (PT500 SERIES)

DESCRIPTION

Lightide Post Top LED Luminaire provides mushroom profile and dia-casting aluminum alloy heat sink. Powder-coating finished housing especially are suitable for outdoor corrosion and wet/ damp location. 5 years warranty guarantee long application for garden, road, parking lot lighting, square and other positions.

CONSTRUCTION & MATERIALS

- Dia-casting aluminum alloy housing
- Polyester powder-coated finish, rust and corrosion proof, stabilized to extreme climate changes without cracking or peeling
- Internal UL approved driver

ENVIRONMENTAL SYSTEM

- Outdoor wet location

FINISH

- Black/White

ELECTRICAL SYSTEM

- Input voltage 100-277VAC/200-480VAC, 50/60Hz
- ETL/cETL listed/CE/RoHs

OPTICAL SYSTEM

- LM 80 SMD LED
- Color temperature: 4000K. Other color temperature available for special order, consult factory for lead time.

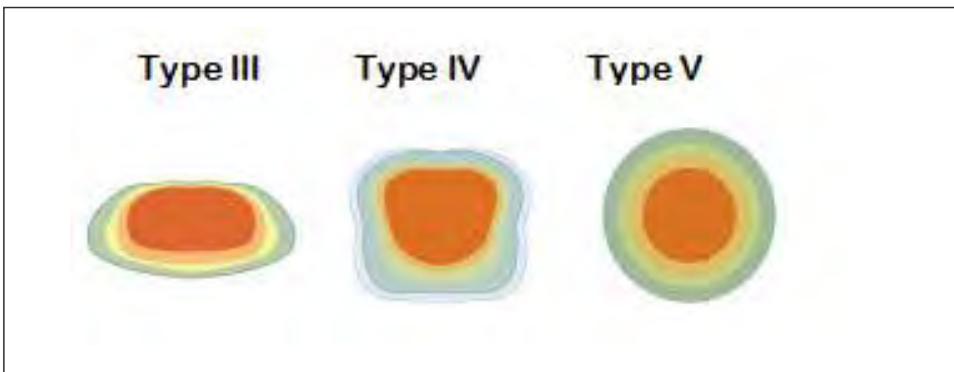
LIGHTING CONTROL

- 0-10vdc/PWM dimming
- Motion sensor
- Photocell

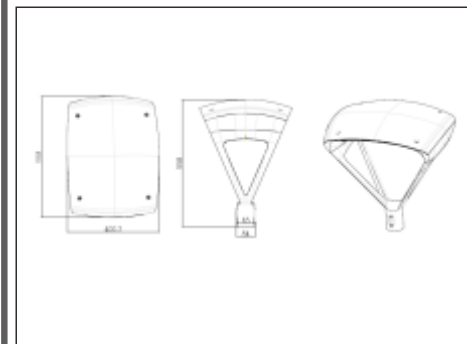
WARRANTY

5 Years

LIGHT DISTRIBUTION



DIMENSION (mm)



ACCESSORIES

Photocell

(JL-104A 110-130VAC,
JL-104B 200-240VAC,
JL-104C 208-277VAC,
JL-104D 250-305VAC)



Post Top LED Luminaire (PT500 SERIES)

Catalog

Type

Note

Ver A 2019-02

DATA SHEET

Model#	LT-PT500-50	LT-PT500-100	LT-PT500-150	LT-PT500-200	LT-PT500-300
Rated Power	49W	100W	150W	200W	300W
Lumen Output	6500 lm	13000 lm	19500 lm	26000 lm	38000 lm
Input Voltage	100-277VAC	100-277VAC	100-277VAC	100-277VAC	100-277VAC
Power Factor	>0.90	>0.90	>0.90	>0.90	>0.90
Color Temperature	3000K,4000K, 5000K	3000K,4000K, 5000K	3000K,4000K, 5000K	3000K,4000K, 5000K	3000K,4000K, 5000K
CRI	>80	>80	>80	>80	>80
Beam Angle	III, IV, V	III, IV, V	III, IV, V	III, IV, V	III, IV, V
L70	>50,000 hrs				
Operating Temp.	-20°F to 104°F				
Housing	Die-cast aluminum with powder coating				
Lens	PC				
Installation	Diameter 60mm Pole				
Warranty	5 Years				
Environment	Suitable for outdoor wet locations, IP 65				
Certification	ETL/cETL,CE, RoHs				

ORDER INFORMATION

Sample Number: LT-PT500-150-HV-30K-DM-P

Com.	Family Name	Wattage	Voltage	CCT	Finish	Control Mode
LT Lightide	Pt500 Post Top	50=50W 100=100W 150=150W 200=200W 300=300W	Blank=100-277VAC HV=200-480VAC	30K=3000K 40K=4000K 50K=5000K	Blank=Black	DM=0-10VDC Dimming PC=PhotoCell MS= Motion sensor

PACKAGE

Model#	QTY/ Carton	N. W.	G. W.	Carton Size
LT-PT500	1 piece	16.5Kg	17 Kg	65x64x55 cm