

# Emergency LED Wallpack (WPCR/Q -EM Series)

**DESCRIPTION**

LED Wall Pack Lights feature radius and quartersphere shape of profile, which made of die-casting aluminum alloy and glass cover. Powder-coating finished housing and sealed gasket for Ip65 rating especially are suitable for outdoor corrosion and wet/ damp location. Motion sensor and photocell sensor can be optional application for building, parking lot lighting, square, road and others. Emergency backup can keep 90-180 minutes emergency time for you.

**CONSTRUCTION & MATERIALS**

- Die-casting aluminum alloy housing, fully sealed to be dirt and bug proof
- Impact-proof and shatter-proof glass cover
- IP 65 rating waterproof protection
- Battery Lithium/Li-Fe PO4/Ni-MH for option
- Built-in emergency backup 90~180 minutes
- Charge times> 500

**MOUNTING AND WIRING**

- Mount directly over a standard outlet box or for surface wiring via any of the 4 convenient 3/4 inch threaded conduit entry hubs.

**ENVIRONMENTAL SYSTEM**

- Outdoor wet/damp location

**FINISH**

- Bronze (default)
- Black or White for option

**ELECTRICAL SYSTEM**

- Input voltage 100-277VAC or 200-480VAC
- ETL/cETL, CE/RoHs

**OPTICAL SYSTEM**

- 140 lm/w output efficacy
- Color temperature: 3000K, 4000K and 5000K. Other color temperature available for special order, consult factory for lead time.
- High quality tempered clear glass lens
- Downward throw lighting distribution for area lighting. Outdoor Cutoff Wall-Mounted Area Luminaires

**LIGHTING CONTROL**

- 0-10vdc dimming available
- Motion sensor available
- Photocell available

**WARRANTY**

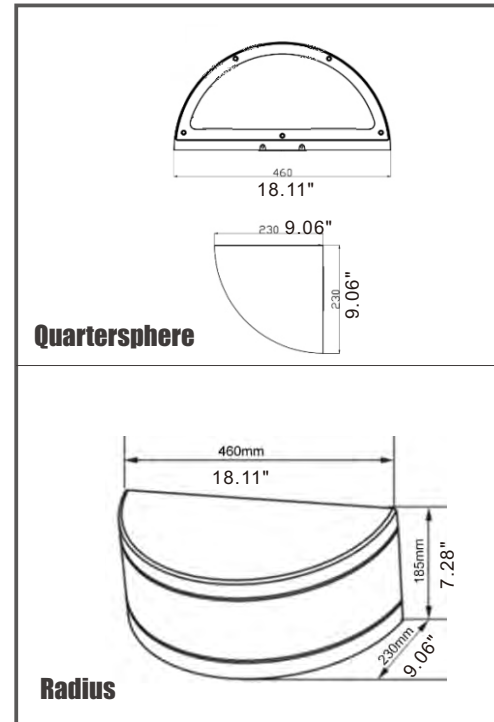
5 Years

**DATA SHEET**

Model#	LT-WPCR-30W-EM LT-WPCQ-30W-EM	LT-WPCR-40W-EM LT-WPCQ-40W-EM	LT-WPCR-60W-EM LT-WPCQ-60W-EM	LT-WPCR-80W-EM LT-WPCQ-80W-EM
Rating	32W	42W	62W	82W
Lumen Output	4200 lm	5790 lm	7300 lm	11080 lm
Emergency Power	6W	6W	10W	15W
Input Voltage	100-277VAC			
LED & CCT	Philips LED, 3000K/4000K/5000K/5700K			
CRI	>70			
Battery	Lithium/Li-FePO4/Ni-MH			
Operating Temp.	-30°C~+50°C			
G.W. (lbs)	WPCR-EM: 18.50 lbs, WPCQ-EM: 18.50 lbs			
Carton (1pc/CTN)	WPCR-EM: 52x24x29cm/CTN, WPCQ-EM: 53X31X30cm/CTN			

**Quartersphere**
**LT-WPCQ**

**Radius**
**LT-WPCR**

**DIMENSION**

**ORDER INFORMATION**

Sample Number: LT-WPCR-60W-30K-WH-EM

Com.	Family Name	Profile	Wattage	Voltage	CCT	Finish	Control Mode
LT	WPC	R=Radius Q=Quartersphere S=Square	30W 40W 60W 80W	Blank=100-277VAC	30K=3000K 40K=4000K 50K=5000K 57K=5700K	Blank=Bronze WH=White	DM=0-10VDC Dimming PC=Photocell MS= Motion sensor EM=Emergency Backup