



## CONSTRUCTION & MATERIALS

- ↘ Classic Dia-casting aluminum alloy case
- ↘ Impact-proof and shatter-proof glass cover
- ↘ IP 65 rating waterproof protection
- ↘ Polyester powder-coated finish
- ↘ Internal UL approved power supply
- ↘ Built-in emergency battery backup
- ↘ Emergency 90~180 minutes
- ↘ Battery Li-Fe/Lithium/Ni-MH for option

## MOUNTING AND WIRING

- ↘ Wall Mount directly

## ENVIRONMENTAL SYSTEM

- ↘ Outdoor wet/damp location

## FINISH

- ↘ Bronze

## ELECTRICAL SYSTEM

- ↘ Input voltage 100-277VAC or 347VAC
- ↘ Emergency Power from 6W~20W for option
- ↘ ETL/cETL
- ↘ CE/RoHs

## OPTICAL SYSTEM

- ↘ 140 lm/w output efficiency
- ↘ Color temperature: 3000K, 4000K and 5000K.  
Other color temperature available for special order, consult factory for lead time.
- ↘ Outdoor Full Cutoff Wall-Mounted Area Luminaires

## LIGHTING CONTROL

- ↘ 0-10vdc dimming available
- ↘ Motion sensor available
- ↘ Photocell available

## WARRANTY

5 Years

# LT-WPCS-EM Series EMERGENCY LED WALL PACK

Emergency LED Wall Pack provides UL listed battery for emergency time 90~180 minutes. ETL & cETL certified luminaires offer 5 yrs warranty. Powder-coating finished housing and sealed gasket for Ip65 rating especially are suitable for outdoor corrosion and wet/ damp location. Motion sensor and photocell sensor can be optional application for building, parking lot lighting, square, road and others.

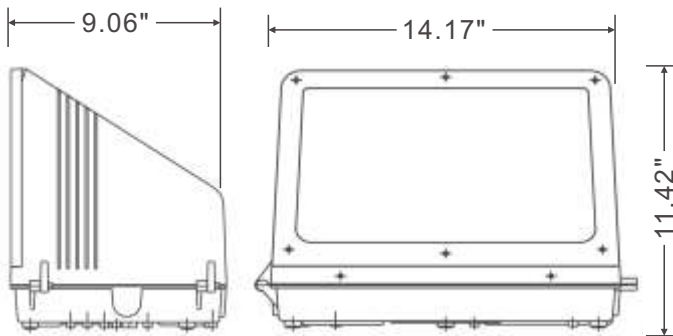
## Performance

**Light Output:** 140 lumens/watt  
**Input Power:** 30W, 45W, 60W, 90W , 120W  
**CRI:** 80  
**CCT:** 3000K, 4000K, 5000K, 6000K  
**Beam Angle:** 120°  
**Finish:** Bronze  
**Input Voltage:** 100-277vac & 347vac  
**Charge time:** >24 hrs  
**Emergency Time:** 90~180 minutes  
**Charge Cycle:** >500 times  
**Warranty:** 5 years  
**Mounting:** Wall surface-mounted  
**Weight:** 7 Kg max.  
**Certificate :** ETL/cETL certified, CE & RoHs

## White Finish Option



## Dimension



## Occupancy Sensor



Photocell



Motion Sensor

## Order Information

Sample Number: LT-WPCS-60W-30K-EM-DM

Com.	Family Name	Wattage	Voltage	CCT	Finish	Control Mode
LT	WPCS	30W	Blank=100-277VAC	30K=3000K	Blank=Brown	DM=0-10VDC Dimming
Lightide	Wall Pack Full Cutoff	45W 60W 90W 120W	HV=347VAC	40K=4000K 50K=5000K 57K=5700K	WH=White	PC=Photocell MS= Motion sensor EM=Emergency Backup

MORE QUALIFIED PRODUCTS, PLEASE CONTACT

Email: [sales@lightideled.com](mailto:sales@lightideled.com)  
<https://www.lightideled.com>  
 Lightide Manufactory Co., Ltd All right reserved.



**LIGHTIDE**