

# Gen-2nd Rotatable LED Wall Pack

**DESCRIPTION**

Gen-2nd Rotatable LED Wall Packs provide die-casting aluminum alloy heat sink and shatter-proof polycarbonate diffuser. The direction can be adjustable from 0-90 degree. Powder-coating finished housing and sealed gasket for Ip65 rating especially are suitable for outdoor corrosion and wet/ damp location. Motion sensor and photocell sensor can be optional application for building, parking lot lighting, square, road and others.

**CONSTRUCTION & MATERIALS**

- Die-casting aluminum alloy housing, fully sealed to be dirt and bug proof
- Impact-proof and shatter-proof polycarbonate diffuser
- IP 65 rating waterproof protection
- Polyester powder-coated finish, rust and corrosion proof, stabilized to extreme climate changes without cracking or peeling
- Internal UL approved power supply
- Adjustable project angle 0-90 degree from vertical to horizontal

**MOUNTING AND WIRING**

- Mount directly over a standard outlet box or for surface wiring via any of the 3 convenient 3/4 inch threaded conduit entry hubs.

**ENVIRONMENTAL SYSTEM**

- Outdoor wet/damp location

**FINISH**

- Bronze

**ELECTRICAL SYSTEM**

- Input voltage 100-277VAC/200-480VAC, 50/60Hz
- ETL/cETL/CE/Rohs

**OPTICAL SYSTEM**

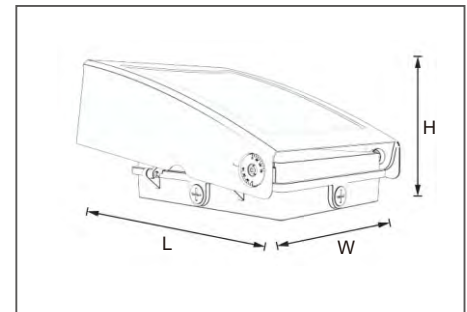
- 120 lm/w output efficacy
- Color temperature: 3000K, 4000K and 5000K, 5700K. Other color temperature available for special order, consult factory for lead time.
- Outdoor Cutoff Wall-Mounted Area Luminaires

**LIGHTING CONTROL**

- 0-10Vdc/PWM dimming
- Motion sensor
- Photocell

**WARRANTY**

5 Years


**DIMENSION**

**DATA SHEET**

Model#	LT-WPSLA-25W-2	LT-WPSLA-35W-2	LT-WPSLA-50W-2	LT-WPSLA-70W-2	LT-WPSLA-100W-2	LT-WPSLA-120W-2
LED Power	25W	30W	50W	70W	100W	120W
Lumen Output	2800 lm	3850 lm	6000 lm	7700 lm	12300lm	14400 lm
Input Voltage	100-277vac	100-277vac	100-277vac	100-277vac	100-277vac	100-277vac
Power Factor	0.90	0.90	0.90	0.90	0.90	0.90
Beam Angle	90°x65°	90°x65°	90°x65°	90°x65°	90°x65°	90°x65°
CRI	>70	>70	>70	>70	>70	>70
L70	>50,000 hrs	>50,000 hrs	>50,000 hrs	>50,000 hrs	>50,000 hrs	>50,000 hrs
Operating Temp.	-30°C~+50°C	-30°C~+50°C	-30°C~+50°C	-30°C~+50°C	-30°C~+50°C	-30°C~+50°C
Dimension	8.07"X6.5"X3.86"	8.07"X6.5"X3.86"	11"X8.5"X4.33"	11"X8.5"X4.33"	13"X10.5"X4.88"	13"X10.5"X4.88"
G.W.	32 lbs/4pcs/CTN	32 lbs/4pcs/CTN	7.2 lbs/1pc/CTN	7.2 lbs/1pc/CTN	11.1 lbs/1pc/CTN	11.1 lbs/1pc/CTN

**ORDER INFORMATION**

Sample Number: LT-WPSLA-70W-HV-27K-PC-W-2

Com.	Family Name	Wattage	Voltage	CCT	Control Mode	Finish	Gen
LT Lightide	WPSLA Slim Wall Pack	25W 35W 50W 70W 100W 120W	Std.=100-277VAC HV=200-480VAC	27K=2700K 30K=3000K 40K=4000K 50K=5000K 57K=5700K 65K=6500K	DM=0-10VDC Dimming PC=Photocell MS= Motion sensor	Blank=Brown W=White	2=2nd

