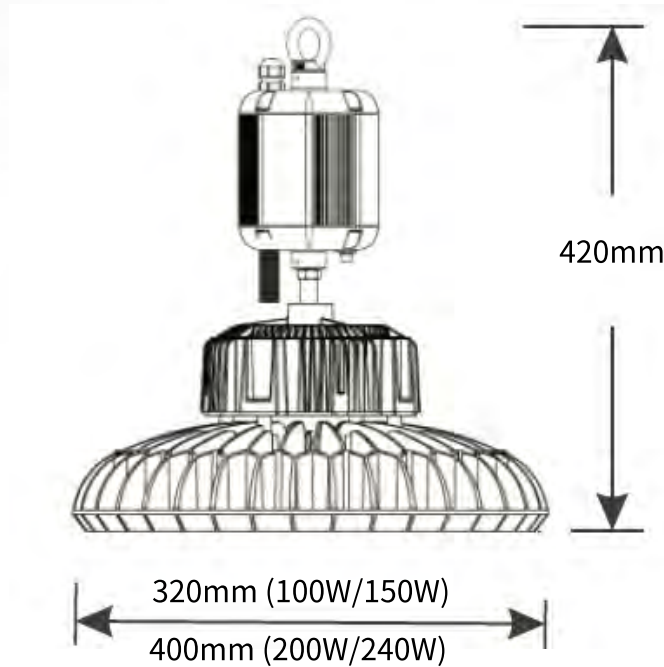


Emergency Backup



Emergency UFO Highbay



Product Introduction

Light Efficacy: Up to 150 lumens/watt
 CCT: 3000K, 4000K, 5000K, 5700K
 Finish: Black
 CRI: 80
 Input Voltage: 100-277vac or 347vac
 Dimming: Standard 1-10vdc
 Battery: Lithium/Li-Fe PO4, 30-60 watts
 Emergency Time: 90~180 minutes
 Charge times: > 500
 Occupancy sensor available
 Certificate: DLC QPL
 ETL/cETL listed, CE

Features

- UL924 & NFPA 101 Compliant
- High-duty die-casting aluminum alloy case
- IP 65 rating for Indoor or outdoor wet/damp location
- Shock-proof polycarbonate diffuser/lens with beam angle 60/90/120 deg.
- Suitable for conduit/Suspended Mounted
- Emergency Backup 90~180 minutes
- Occupancy motion bi-level sensor/photocell
- 5 years warranty

Specification

Model#	Input Voltage	Power	Light Efficacy	Battery	CRI	Equv.
LT-UBA280-100W-EMH	100-277VAC	100W	150 LPW	30W/90 min.	80	400W MH
LT-UBA320-150W-EMH	100-277VAC	150W	150 LPW	40W/90 min.	80	600W MH
LT-UBA400-200W-EMH	100-277VAC	200W	150 LPW	40W/90 min.	80	1000W MH
LT-UBA400-240W-EMH	100-277VAC	240W	150 LPW	60W/90 min.	80	1000W MH

Order Information

For example: LT-UBA320-150W-30K-EMH

Company	Product Info.	Size	Power	Input Voltage	CCT	Control
LT	UBA	280	100W	Std.=100-277vac	27K=2700K	EMH=High Power Emergency Kit
		320	150W	HV= 347VAC	30K=3000K	DA= Dali Dim
		400	200W		40K=4000K	PS=Photocell
			240W		50K=5000K	MS=Motion Sensor
					57K=5700K	

150 LM/W

1-10VDC Dimming

Shock Proof

Battery Emergency

DLC QPL

ETL Listed

5 Year Warranty

IP65 Rated

Motion Sensor