

Post Top LED Luminaire (Acorn Style)

DESCRIPTION

Lightide Post Top LED Luminaire features new led acorn design. Powder-coating finish especially is suitable for outdoor corrosion and wet/ damp location. ETL/CE certified and 5 years warranty keep better quality and long term after-sales service. The luminaire can be installed for garden, road, parking lot lighting, square and others.

CONSTRUCTION & MATERIALS

- ◆ High-duty die-casting aluminum alloy housing
- ◆ LED design, easy maintenance
- ◆ Shatter-proof PMMA lampshade
- ◆ Copper or stainless steel fastener
- ◆ Polyester powder-coated finish
- ◆ Excellent optical design
- ◆ IK 10 rated
- ◆ Fit for 2.4" diameter of pole

ENVIRONMENTAL SYSTEM

- ◆ IP 66 rated waterproof
- ◆ Used for outdoor wet/damp location

FINISH

- ◆ Black

ELECTRICAL SYSTEM

- ◆ Input voltage 100-277VAC, 50/60Hz
- ◆ 200-480vac available
- ◆ ETL/cETL listed,
- ◆ CE/RoHS

OPTICAL SYSTEM

- ◆ 120 lm/w
- ◆ Color temperature: 3000K, 4000K, 5000K, 5700K. Other color temperature available for special order, consult factory for lead time.
- ◆ Beam angle 360°
- ◆ Lampshade Finish: Milky, Clear Stripe, Prismatic

LIGHTING CONTROL

- ◆ 0-10vdc dimming available

INSTALLATION

- ◆ Fit for 10'~ 30' height of pole

WARRANTY

- ◆ 5 Years

STANDARD

- ◆ EN61347-1, EN61347-2-13, EN60598-2-1, EN60598-1
- ◆ UL 924, UL 1598, CAN/CSA -C.22.2 NO. 250.0,



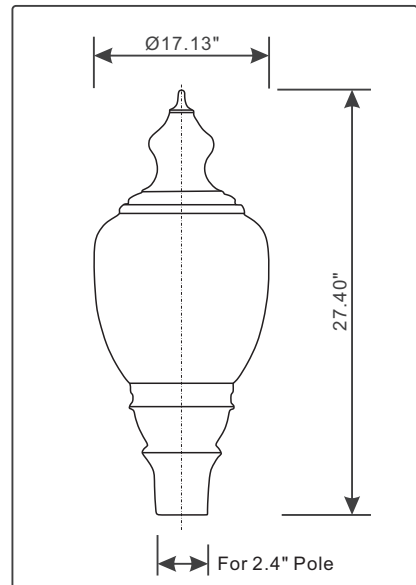
LT-PTS

LT-PTV

DATA SHEET

Model#	LT-PTS30 LT-PTV30	LT-PTS40 LT-PTV40	LT-PTS60 LT-PTV60
LED Power	30W	40W	60W
Lumen Output	3580 lm	4780 lm	7160 lm
Input Voltage	100-277VAC	100-277VAC	100-277VAC
Power Factor	>0.90	>0.90	>0.90
Color Temp.	3000K/4000K/5000K/5700K	3000K/4000K/5000K/5700K	3000K/4000K/5000K/5700K
CRI	>80	>80	>80
Beam Angle	360°	360°	360°
L70	>50,000 hrs	>50,000 hrs	>50,000 hrs
Operating Temp.	-20°F to 104°F	-20°F to 104°F	-20°F to 104°F

DIMENSION



ORDER INFORMATION

Sample Number: LT-PTS60-HV-30K-MS

Com.	Family Name	Wattage	Voltage	CCT	Lampshade Finish	Control Mode
LT Lightide	PTS PTV	30=30W	Blank=100-277VAC HV=200-480VAC	30K=3000K	S=Clear Stripe M= Milky P= Prismatic	DM=0-10VDC Dim
		40=40W		40K=4000K		
		60=60W		50K=5000K 57K=5700K		

PACKAGE

Model#	QTY/CTN	N. W. / CTN	G. W. / CTN	Carton Size
LT-PTS/PTV	1 piece	7.0 Kg	8.0 Kg	54X54X80 cm

LAMP SHADE OPTION



APPLICATIONS

- ◆ Roadway lighting
- ◆ Parking areas lighting
- ◆ Airports lighting
- ◆ Streetscapes lighting
- ◆ Campuses lighting