

FULL CUTOFF LED WALL PACKS (WPCA Series)

DESCRIPTION

LED Wall Pack Lights provides new heat sink design made of die-casting aluminum alloy and polycarbonate lens coming with full cutoff style. Powder-coating finished housing and sealed gasket for Ip65 rating especially are suitable for outdoor corrosion and wet/ damp location. Motion sensor and photocell sensor can be optional application for building, parking lot lighting, square, road and others.

CONSTRUCTION & MATERIALS

- Die-casting aluminum alloy housing, fully sealed to be dirt and bug proof
- Impact-proof and shatter-proof glass cover
- IP 65 rating waterproof protection
- Polyester powder-coated finish, rust and corrosion proof, stabilized to extreme climate changes without cracking or peeling
- Internal UL approved power supply
- Full cutoff style

MOUNTING AND WIRING

- Mount directly over a standard outlet box or for surface wiring via any of the 3 convenient 3/4 inch threaded conduit entry hubs.

ENVIRONMENTAL SYSTEM

- Outdoor wet/damp location

FINISH

- Bronze /Black

ELECTRICAL SYSTEM

- Input voltage 100-277VAC or 347-480VAC
- DLC qualified, ETL/cETL
- CE/Rohs

OPTICAL SYSTEM

- 120 lm/w output efficiency
- Color temperature: 3000K, 4000K and 5000K. Other color temperature available for special order, consult factory for lead time.
- Outdoor Cutoff Wall-Mounted Area Luminaires

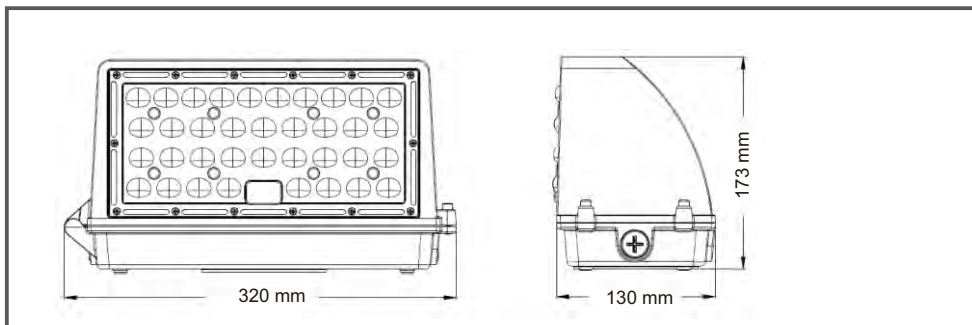
LIGHTING CONTROL

- 0-10vdc dimming available
- Motion sensor available
- Photocell available

WARRANTY

5 Years

DIMENSION



ACCESSORIES

Photocell
(JL-104A 110-130VAC, JL-104B 200-240VAC, JL-104C 208-277VAC, JL-104D 250-305VAC)



Catalog #
Type
Full Cutoff
Note
Ver A 2019-02

FULL CUTOFF LED WALL PACKS (WPCA Series)

DATA SHEET

Model#	LT-WPCA-40W	LT-WPCA-60W	LT-WPCA-80W	LT-WPCA-100W
Rating	42W	62W	80W	100W
Lumen Output	6045 lm	7300 lm	9700 lm	12000 lm
Input Voltage	100-277VAC, 347-480VAC			
Power Factor	0.98at 100VAC 0.90 at 277VAC/347-480VAC			
LED & CCT	Philips LED, 3000K/4000K/5000K/5700K			
CRI	>70			
L70	>50,000 hrs			
Operating Temp.	-30°C~+50°C			
Store Temp.	-40°C~+60°C			
Material	die-cast aluminum body, Shatter-proof polycarbonate cover			
Installation	Recessed outlet box or wall surface			
Warranty	5 Years			
Environment	Suitable for damp/wet locations, IP 65 outdoor			
Certification	ETL/cETL, DLC QPL			

ORDER INFORMATION

Sample Number: LT-WPCA-80W-30K-BK-DM

Com.	Family Name	Wattage	Voltage	CCT	Finish	Control Mode
LT Lightide	WPCA Wall Pack CUTOFF A TYPE	42W 60W 80W 100W	Blank=100-277VAC MV= 347VAC HV=480VAC	30K=3000K 40K=4000K 50K=5000K 57K=5700K	Blank=Bronze WH=White	DM=0-10VDC Dimming PC=Photocell MS= Motion sensor

PACKAGE

Model#	QTY/ Carton	N. W.	G. W.	Carton Size
LT-WPCA-40W/60W	1 piece	2.8 Kg	3.1 Kg	40X28X23 cm
LT-WPCA-80W/100W	1 piece	3.0 Kg	3.3 Kg	40X28X23 cm