

# TPL/TPLH

## LED Jelly Jar

Vapor Proof | Junction-Box Mount

Catalog#	Type
Comment	
Project	Date

### DESCRIPTION

Upgrade your lighting solutions with our premium LED Jelly Jar! Designed for durability and efficiency, this fixture is vapor-proof and IP66 rated, ensuring reliable performance even in the toughest environments. With an impressive high efficacy of 80 lumens per watt (LPW), it delivers bright, energy-saving illumination. Built to meet UL 1598A compliance standards, this LED Jelly Jar guarantees safety and quality. Plus, enjoy peace of mind with our 5-year warranty, making it a dependable choice for your lighting needs. Illuminate smarter with the LED Jelly Jar!

#### CONSTRUCTION & MATERIALS

- ◆ Impact-proof IK 08
- ◆ High-duty die-casting aluminum alloy housing
- ◆ LM 80 SMD 2835 LED with Ra>80
- ◆ Frosty glass diffuser (heat-treated)
- ◆ Full gasket seal
- ◆ Stainless steel 316 screws

#### INSTALLATION

- ◆ Wall mount, Ceiling Mount
- ◆ Junction-box mount

#### ENVIRONMENTAL SYSTEM

- ◆ IP 65/66 rated for wet and damp location usage
- ◆ Work Temp.: -30°C ~ +50°C (-22°F ~ 122°F)

#### FINISH

- ◆ Silver-Grey

#### ELECTRICAL SYSTEM

- ◆ Input voltage 120-277VAC, 50/60Hz,
- ◆ ETL/cETL listed, CE/RoHS
- ◆ Standard 1KV surge protection, 3KV/6KV surge protection available

#### OPTICAL SYSTEM

- ◆ 85 LPW
- ◆ Beam angle 180°

#### STANDARD

- ◆ EN61347-1, EN61347-2-13, EN60598-2-1, EN60598-1
- ◆ UL 1598 Suitable for Wet Locations
- ◆ UL 1598A Marine Outside Type (Saltwater)
- ◆ CSA C22.2 No. 137-1981, CSA C22.2 No. 250.0-08

#### EMERGENCY BACKUP OPTION

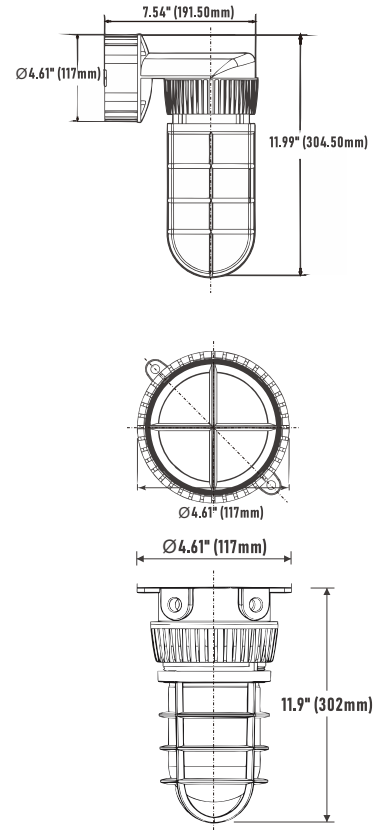
- ◆ UL 924 & CEC title 20 compliant
- ◆ Charge cycle: >2000 times
- ◆ Emergency time: 90~180 minutes
- ◆ Work Temp. 32°F~ +122°F (0°C~50°C).

#### WARRANTY

- ◆ 5 Years



### DIMENSION



### DATASHEET

Model#	LT-TPLH220	LT-TPL220
Input Voltage	120-277V AC	120-277V AC
Selectable Wattage	20 Watts	20 Watts
Output Efficacy	1,750 lumens	1,750 lumens
CRI	>80	>80
Beam Angle	180°	180°
CCT	30K/40K/50K	30K/40K/50K
L70 Life	72,000 hrs	72,000 hrs
Optional Battery	Li-ion, Ni-MH, LiFePo4	Li-ion, Ni-MH, LiFePo4
Dimension	304.5X191.5X117 mm	Ø117X302 mm
Housing	Die-casting aluminum alloy	Die-casting aluminum alloy
Cover	Heat-treated glass, Frosty	Heat-treated glass, Frosty
Compliance Certificate	ETL/cETL, CE/RoHS	ETL/cETL, CE/RoHS

### ORDER INFORMATION

Sample Number: LT-TPL220-40K-DM

COM	Series	Wattage	CCT	Voltage	Control Mode
LT	TPL2 TPLH2	20 20W	27K 2700K 30K 3000K 40K 4000K 50K 5000K 57K 5700K 65K 6500K	Blank 100-277VAC M 120-347VAC E 200-240VAC	DM 0-10VDC DIM PC Photocell