



UBA Series
G2 UFO LED High Bay



UBA

G2 UFO LED High Bay



Industrial LED UFO high bay lighting fixture feature smaller sizes with more efficient than the traditional high bay lights. Moreover, high light efficacy 140 LPW of high bay lights can deliver efficient, uniform for commercial, industrial, retail, and plant, etc.

They also can be backup with battery to provide 90~180 minutes of runtime when the power goes out.

UBA

G2 UFO LED High Bay

Mount Ring

Aluminum Alloy



Wire Protection

- SUS304

Optional Motion Sensor

- ON/OFF
- Bi-lever
- Dusk-Dawn

LED Driver

- UL Listed
- 100-277vac
- Built-in 4-6KV Surge Protection

Aluminum Case

- Die-casting aluminum alloy
- waterproof IP 66 rated
- Powder coating



LED Chip

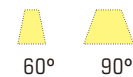
LM 80 High efficacy of SMD LED chips. High efficacy LED boards with dual copper cladding for thermal dissipation

Lens Unique polycarbonate lens distribution design 120° beam angle



Optional Reflector

- 60°/90° PMMA
- 60°/90° aluminum



UBA-B

UFO LED High Bay Light

DLC | Smaller Size | Emergency Available

DESCRIPTION

UFO LED High Bay Light is made of polycarbonate lens for any application requiring high lumen output and minimum maintenance. The rugged, die-casting aluminum housing and sealed and gasket optics compartment combine to make LED light virtually impenetrable to contaminants. LED high bay light fixture can get the light intensity up to 400W Metal halide fixture for warehouse, parking lot lighting, plant lighting and other lighting applications.

CONSTRUCTION & MATERIALS

- ◆ High-duty die-casting aluminum alloy housing, fully sealed to be dirt and bug proof
- ◆ Impact-proof PC lens
- ◆ IP 66 rating waterproof protection
- ◆ Black polyester powder-coated finish (White finish available).
- ◆ Flicker free
- ◆ Stainless steel wire protection
- ◆ Impact Rated: IK08

EMERGENCY OPTION

- ◆ UL 924 & CEC title 20 compliant
- ◆ Charge time: 24 hrs
- ◆ Emergency time: 90~180 minutes
- ◆ Charge cycle: >500 times
- ◆ Work Temp. -22°F~+122°F (-30°C~50°C). Especial temperature will be consulted. *

MOUNTING AND WIRING

- ◆ Chain mount/Conduit mount

ENVIRONMENTAL SYSTEM

- ◆ Outdoor wet/damp location

ELECTRICAL SYSTEM

- ◆ Input voltage 100-277VAC
- ◆ DLC, ETL/cETL, CE/RoHS.

OPTICAL SYSTEM

- ◆ 140 lm/w output efficacy
- ◆ Color temperature: 3000K, 4000K, 5000K and 5700K. Other color temperature available for special order, consult factory for lead time.
- ◆ Std. 120° beam angle (60°/90° clear reflector)

LIGHTING CONTROL

- ◆ Std. 0-10vdc dimming
- ◆ Microwave motion sensor available

WARRANTY

- ◆ 5 Years

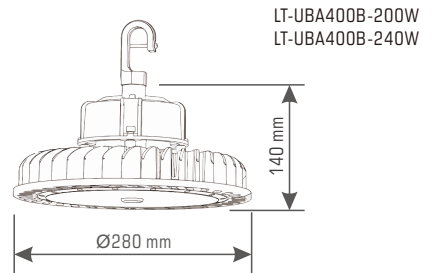
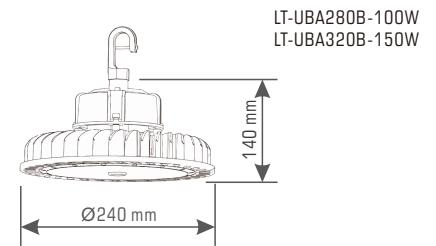
STANDARD

- ◆ EN61347-1, EN61347-2-13, EN60598-2-1, EN60598-1
- ◆ UL 924, UL 1598, CAN/CSA -C.22.2 NO. 250.0,

Model #	LT-UBA G2 Series
Type	High Bay
Version	Al: 2022-01



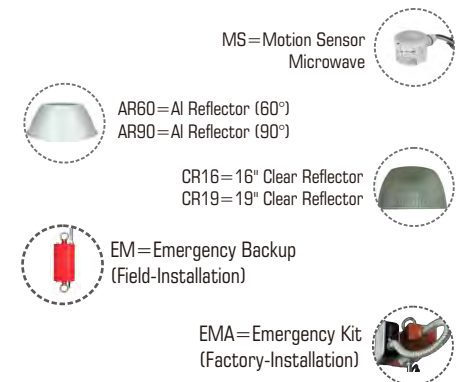
DIMENSION



DATA SHEET

Model#	LT-UBA280B-100W	LT-UBA320B-150W	LT-UBA400B-200W	LT-UBA400B-240W
Input Power	98 W	144.4 W	199 W	238.4 W
Input Voltage	100-277 VAC	100-277 VAC	100-277 VAC	100-277 VAC
Power Factor	> 0.9	> 0.9	> 0.9	> 0.9
Output Efficacy	13442 lumens	20485.7 lumens	28009 lumens	31470 lumens
CRI	>80	>80	>80	>80
Beam Angle	120°	120°	120°	120°
Dimension	Ø240X140mm	Ø240X140 mm	Ø280X140mm	Ø280X140mm
L70 Life	>50,000hrs	>50,000hrs	>50,000hrs	>50,000hrs
OperationTemperature	-22°F~+122°F	-22°F~+122°F	-22°F~+122°F	-22°F~+122°F
Material	Die-casting Aluminum	Die-casting Aluminum	Die-casting Aluminum	Die-casting Aluminum
Waterproof	IP66	IP66	IP66	IP66
Certificate	DLC, ETL/cETL, CE/RoHS	DLC, ETL/cETL, CE/RoHS	DLC, ETL/cETL, CE/RoHS	DLC, ETL/cETL, CE/RoHS

ACCESSORIES



ORDER INFORMATION

Sample Number: LT-UBA320B-150W-27K-EM-Std.

Com.	Family Name	Size Code	Wattage	CCT	Voltage	Control Mode	Duration (EM Mode)	Finish
LT	UBA	280B 320B 400B	100W 150W 200W 240W	27K=2700K 30K=3000K 40K=4000K 50K=5000K 57K=5700K 65K=6500K	Blank=100-277VAC MV=347VAC HV=277-480VAC	DM=0-10VDC Dim DA=DALI Dim PS= Photocell MS= Motion sensor EM=Emergency Kit (Field-Assm) EMA= Emergency Kit (Factory-Assm) CR16/19= Clear Reflector 16°/19° AR60/90= Aluminum Reflector 60°/90°	Std.=90 Min. 2H =120 Min. 3H =180 Min.	Blank= Black WH=White

UBA-B

UFO LED High Bay Light

DLC | Smaller Size | Emergency Available

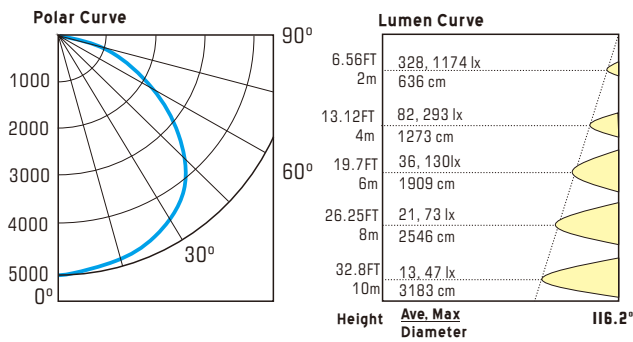
Model #	LT-UBA G2 Series
Type	High Bay
Version	AI: 2022-01

PACKAGE

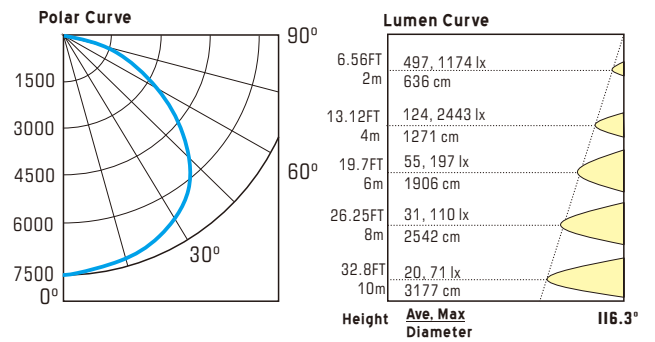
NO.	Model#	Carton Size (LXWXH)	G. W. / CTN	QTY/CTN
1	LT-UBA280B-100W/150W	66X36X40 cm	12.8 kg	4pcs
3	LT-UBA400B-200W/240W	73X39X39 cm	19.5 Kg	4pcs

PHOTOMETRICS

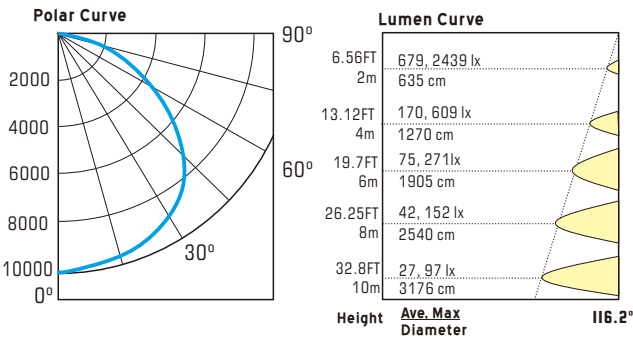
MODEL# LT-UBA280B-100W-120D 98W, 13442 lm



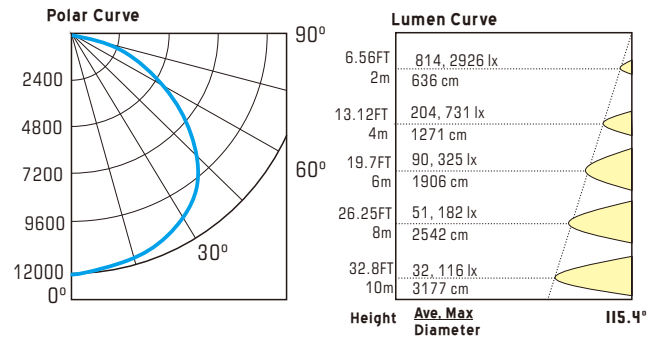
MODEL# LT-UBA320B-150W-120D 144.4W 20485.7 lm



MODEL# LT-UBA400B-200W-120D 199W 28009 lm



MODEL# LT-UBA400B-240W-120D 238.4W 31470 lm



MOUNT GUIDE

This UFO led high bay light is easily installed to the ceiling with a built-in ring. No hard-wiring is needed. A lot of time and labor costs will be saved. Mount height is for installation reference.



18'-20'
240W (32400 LM)
Replace 1000W MH

16'-18'
200W (28000 LM)
Replace 600W MH

14'-16'
150W (18200 LM)
Replace 400W MH

10'-14'
100W (14800 LM)
Replace 250W MH

120° BEAM ANGLE
Base on 40-50 fc on the ground