



BUYING GUIDE

# LED WALL PACK

**LIGHTIDE**  
— Lighting Your Value —



[www.lightideled.com](http://www.lightideled.com) | [sales@lightideled.com](mailto:sales@lightideled.com)

# ***FEATURES***

## **DLC Certified**

DLC qualify for the highest utility rebates.

## **Warranty**

Sell and back them with an excellent 5-10 years warranty

## **Emergency Solution**

Provide reliable backup lighting when power outages.



# SEMI CUT-OFF

## LT-WP01 Series

LED Wall Pack lights provide a high-efficient 140 LPW to the perimeter and security lighting for commercial and residential applications. In addition, DLC-qualified LED wall-mounted light fixtures are able to accelerate the payback.

- Wide Input Voltage – 100-277 or 120~347vac
- Excellent Efficacy – 140 lumens per watt
- Std.1-10vdc Dimming
- Emergency Battery Backup is available.
- Work Temperature: -40°F ~+140°F
- 40W, 60W, 90W, 120W



[www.lightideled.com](http://www.lightideled.com) | [sales@lightideled.com](mailto:sales@lightideled.com)



Dark Sky  
Compliant  
Shield



Emergency  
Backup



Wire Guard





# FULL CUT-OFF

## LT-WPCT/A Series

Outdoor Full Cutoff LED wall packs feature trapezoid style and dusk to dawn work mode. 120 LPW of LED wall pack for 400W MH Equiv. In addition, exterior led wall light fixtures can work great for pathway and building perimeter lighting. Moreover, these wall-mounted LED lights are also fit for illumination of entry and exit ways enabling security lighting.

- Wide Input Voltage – 100-277 or 120~347vac
- Excellent Efficacy – 120 lumens per watt
- 35W, 60W, 80W, 100W
- Emergency Backup is available.



[www.lightideled.com](http://www.lightideled.com) | [sales@lightideled.com](mailto:sales@lightideled.com)



Dusk-Dawn



**LT-WPCT Series**



**LT-WPCA Series**



# ROTATABLE

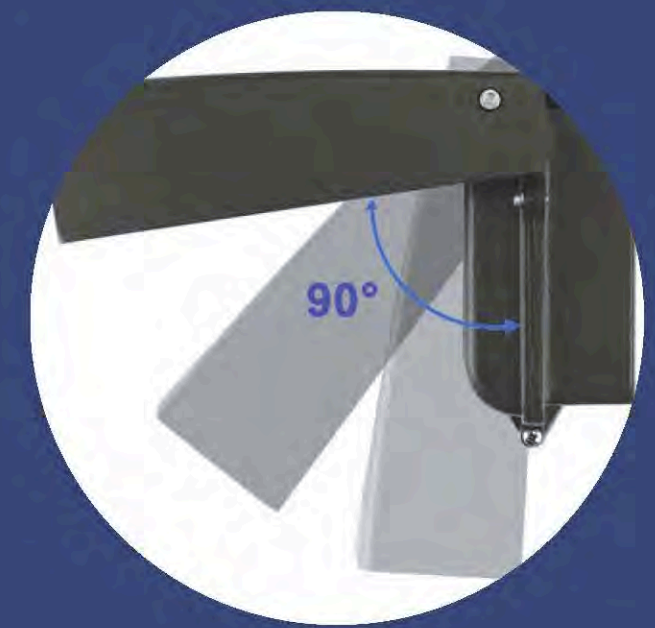
## LT-WPSLA Series (Gen 2)

Outdoor LED Wall Pack Lights combine rotatable styling and unique optical design (90°X65°) for floodlighting and security lighting. In addition, the design separating the heat dissipation system from drivers can keep more lifespan and guarantee long-time safety operations.

- Excellent Performance – 124 LPW.  
100-120W LED wall pack 400W equivalent.
- Rotatable Style – 0~90 degrees of direction adjusted.
- 25W, 35W, 60W, 80W, 100W, 120W
- Photocell available



**Dusk-Dawn**



**Adjustable**





# MINI STYLE

## LT-WP02 (S) Series

LED mini wall mounted lights with photocell work great for pathway and building perimeter lighting. And it's a perfect choice to be used in parking garages, schools, outdoor walkways, gardens, fences, stairs, patio, driveway, outdoor security lighting, and anywhere that needs great lights.

- Dusk to Dawn
- Excellent Performance – 110 lumens per watt.
- Fully Weatherproof – IP65 rated.
- 12W, 18W, 20W, 25W, 30W



**LT-WP02-  
20W/25W/30W-S**



**LT-WP02-  
12W/18W/30W**





# ARCHITECTURAL

## LT-AF02 Series

LED Outdoor Security Lights offer a photocell for dusk to dawn work mode. In addition, the powder-coating finish assures corrosion resistance and long-lasting aesthetics. And the shatterproof polycarbonate cover can get the IK08 rating.

- Excellent Performance – 130 lumens per watt. Replacing up to 250W MH by 70W LED Lights.
- Dusk to Dawn Mode
- Power Option – 30W, 50W, 70W, 100W, 120W, 150W
- Long Lifespan – At 8 hours of daily use, outdoor LED lights are rated to last 17 years.



[www.lightideled.com](http://www.lightideled.com) | [sales@lightideled.com](mailto:sales@lightideled.com)



Photocell



Wall Mount Kit



# CHOOSING GUIDE

2

## Choose Wattage

<b>40W</b> 100W EQUIV. Up to 4,800 lm	<b>60W</b> 150W EQUIV. Up to 7,200 lm	<b>90W</b> 250W EQUIV. Up to 10,800 lm	<b>120W</b> 250W EQUIV. Up to 14,400 lm
---	---	--	---

4

## Choose Accessories

Light shield  
wire guard

1

## Choose Style

Semi Cutoff  
Full Cutoff  
Mini Style

3

## Choose Options

VOLTAGE	CCT	CONTROL	COVER
100-277vac	3000K	1-10vdc dim	Glass
347vac	4000K	Motion	plastic
480 vac	5000K	Photocell	
	5700K	Emergency	



---

# CONTACT

*We look forward to working  
with you*

---



Sanjia Industrial Zone, Nanhai,  
Foshan, Guangdong, China



+86-755-8383-7000



[www.lightideled.com](http://www.lightideled.com)



[sales@lightideled.com](mailto:sales@lightideled.com)

