



VTA Series

Power & CCT Selectable
LED Vapor Tight



VTA

Power & CCT Selectable LED Graga Light



Vapor-tight linear LED Garage Lights 4ft feature power selectable ranges of 32-40-50 watts and CCT selectable ranges of 3000K-4000K-5000K. And they also are built with a 1-10vdc dimming and motion sensor. Therefore, these linear garage led lights are powerful lighting in harsh environments, protecting the light source from dust and moisture.

Power & CCT Selectable LED Garage Light

J-Box Bracket



LED Driver

(CCT & Power Selectable Switch)



Mount Clips

LED Chip

LM 80 High efficacy of SMD LED chips. High efficacy LED boards with dual copper cladding for thermal dissipation

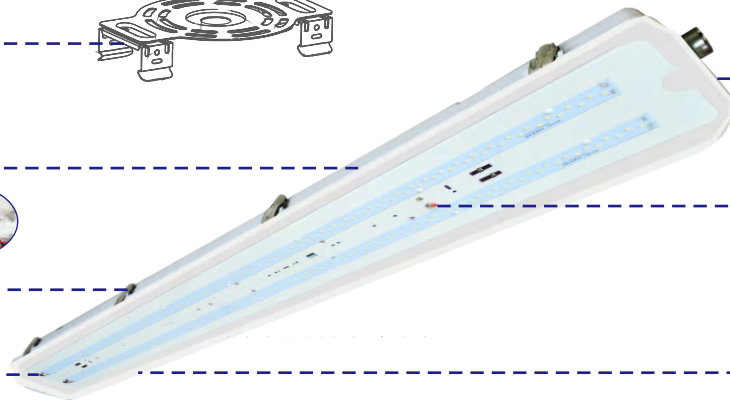
Optional Motion Sensor

- ON/OFF
- Bi-lever
- Dusk-Dawn



Cover

Unique polycarbonate lens distribution design clear or frosty for option.



Optional Battery

Switch to emergency mode automatically when power is off to keep safe in time.

Emergency Switch

Std. push-button for checking if it can work in emergency mode. Integrated with indicator lamp.

Housing

- 5VA Rated
- waterproof IP 66 rated



Model #	LT-VTA Series
Rated	Vapor Tight
Version	A1: 2022-01

DESCRIPTION

LED Garage Lights 4ft can be adjustable power ranged from 32watts, 40 watts to 50 watts and CCT changed from 3000K, 4000K and 5000K. And they also are built with a standard 1-10vdc dimming driver. In addition, the fixtures feature vapor-tight rated housing, which also are IK08 and V0 rated and coming with frosty or clear strip cover for option. Waterproof Ip66 rated fixtures are suitable for indoor or outdoor wet/damp usage. High lumen output level up to 130 LPW of led vapor tight light fixtures usually are applied for storage areas, warehouses, shops and garages etc.

CONSTRUCTION & MATERIALS

- ◆ IK 08 & V0 shatter-proof polycarbonate housing
- ◆ Lm80 SMD 2835 LED with Ra>80
- ◆ Shatter-proof & Frosty cover
- ◆ Junction Box mount bracket
- ◆ Stainless steel fastener

INSTALLATION

- ◆ Chain Pendant/Surface mounted

ENVIRONMENTAL SYSTEM

- ◆ IP 66 rated for wet and damp location usage
- ◆ Indoor/outdoor wet/damp location
- ◆ Ambient Temp.: -30°C - +50°C (-22°F -122°F)

FINISH

- ◆ Grey

ELECTRICAL SYSTEM

- ◆ Input voltage 120-347VAC, 50/60Hz
- ◆ ETL/cETL listed,
- ◆ CE/RoHS

OPTICAL SYSTEM

- ◆ 130 LPW /150 LPW.
- ◆ CCT selected range from 3000K-4000K-5000K
- ◆ Beam angle 165°x120°

LIGHTING CONTROL

- ◆ 0-10vdc dimming available
- ◆ Power selected from 32W-44W-50W, 40W-50W-60W
- ◆ Microwave motion sensor available
- ◆ Photocell for dusk-dawn work mode available

WARRANTY

- ◆ 5 Years

STANDARD

- ◆ EN61347-1, EN61347-2-13, EN60598-2-1, EN60598-1
- ◆ UL 924, UL 1598, CAN/CSA -C.22.2 NO. 250.0,



POWER SELECTABLE



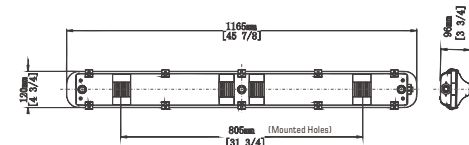
CCT SELECTABLE



DATASHEET

Model#	LT-VTA440-CPT	LT-VTA450-CP
Input Voltage	100-347vac	100-277vac
Selectable Power	32W-40W-50W	40W-50W-60W
Output Efficacy	130 LPW (frosty) / 150 LPW (clear)	130 LPW (frosty) / 150 LPW (clear)
CRI	>80	>80
Beam Angle	120°	120°
CCT	Selectable 3000K-4000K-5000K	3000K/4000K/5000K
L70 Life	>50,000hrs	>50,000hrs
Battery Available	Lithium/Ni-MH	Lithium/Ni-MH
Duration (minutes)	90 (120/180 Options)	90 (120/180 Options)
Housing	UL94-V0 Rated	UL94-V0 Rated
Cover	PC (frosty, clear)	PC (frosty, clear)
Certificate	ETL/cETL, CE/RoHS	ETL/cETL, CE/RoHS

DIMENSION



OPTIONAL ACCESSORIES

Emergency Battery

(8W, 15W OPTIONS)



Motion Sensor

(Bi Level)



ORDER INFORMATION

Sample Number: LT-VTA436-CPT-MS-F

Com	Family Name	Length	Wattage	CCT	Control Mode	Cover
LT	VTA	4=4FT	40CP=Power Selected: 32W-40W-50W	30K=3000K 40K=4000K 50K=5000K T=3000K-4000K-5000K Selectable	MS=Motion Sensor EM=Emergency Backup	Std.=Frosty C=Clear
			50CP=Power Selected: 40W-50W-60W			

SPARE ACCESSORIES

Suspension Kits



J-Box Bracket



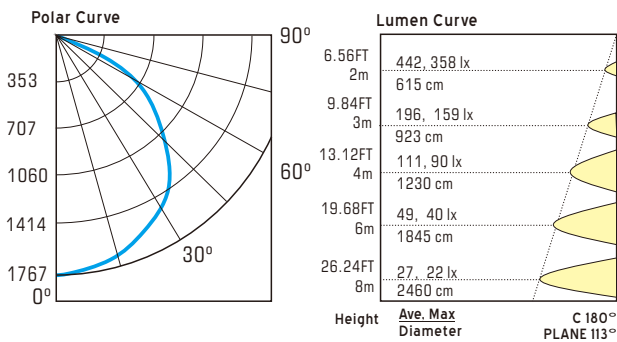
Model #	LT-VTA Series
Rated	Vapor Tight
Version	A1: 2022-01

PACKAGE

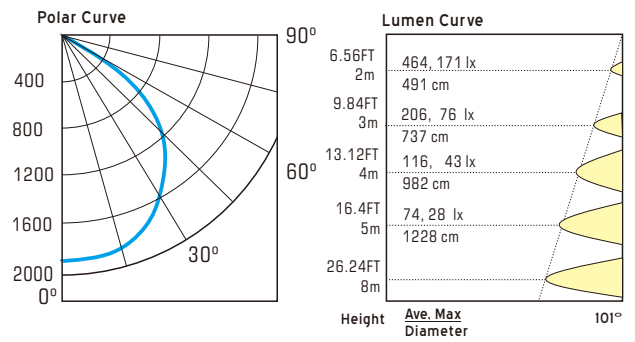
NO.	Model#	Carton Size (LXWXH)	G. W. / CTN	QTY/CTN (PCS)	20' GP Loading	40' GP Loading
1	LT-VTA440CPT LT-VTA450CP	123X36X31cm	17.5 Kg	6	1026 PCS	2310 PCS

PHOTOMETRICS (FROSTY COVER)

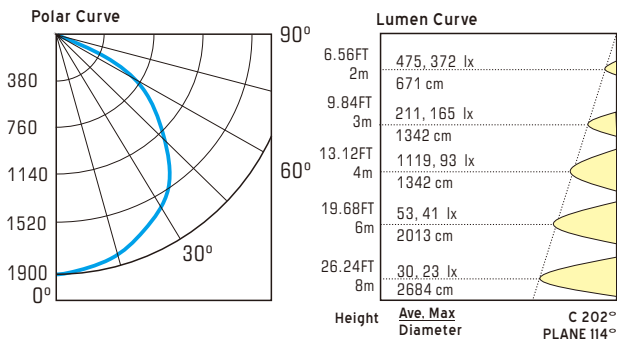
MODEL# LT-VTA440-CPT 32W 4000K 4050 Lumens



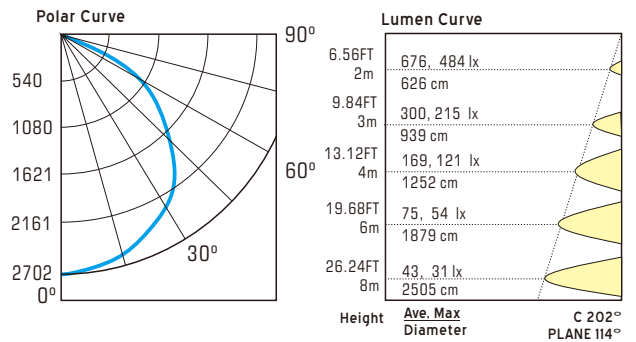
MODEL# LT-VTA440-CPT 40W 4000K 5169 Lumens



MODEL# LT-VPA440-CPT 49W 4000K 6298 Lumens

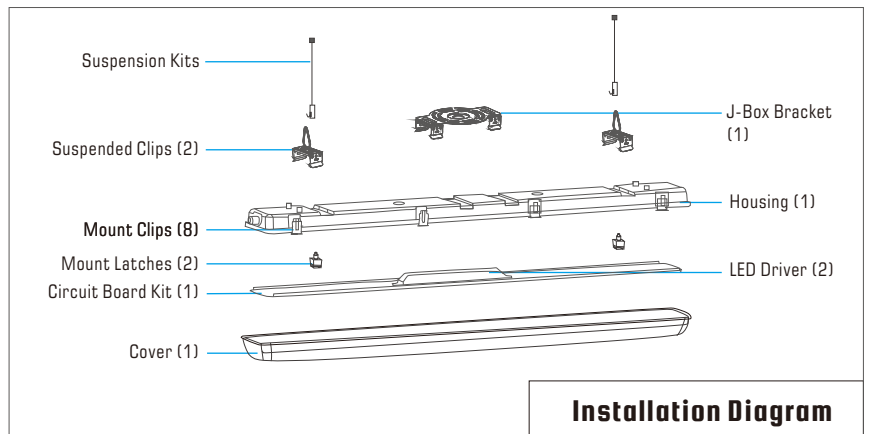
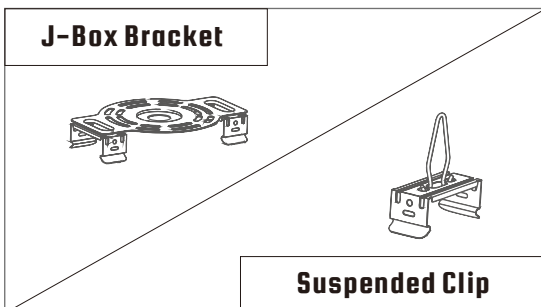


MODEL# LT-VTA456-CP 58W 4000K 7167 Lumens



MOUNT GUIDE

This LED garage light is easily installed to the ceiling with a built-in ring. No hard-wiring is needed. A lot of time and labor costs will be saved.



Model #	LT-VTA Series
Rated	Vapor Tight
Version	A1: 2022-01

OPTIONAL MOTION SENSOR

Motion Sensor is a moving object sensor that can detect range of 360° and its working frequency is 5.8GHz. The advantage is stable working state (stable working temperature: -40° C~+70° C), adopts a microwave sensor (high-frequency output <0.2mW), so that it is safe and performs better than infrared sensor.

Features

- Fully adjustable high and low dimmed light levels from 0-10VDC
- Designed for LED fixtures; rated for extreme temperatures and up to 200,000 on/off cycles
- Adjustable via handheld wireless configuration tool
- Adjustable time delay and cut off delay from 10 seconds to 60 minutes
- Provides line voltage On/Off switching and 0-1 0VDC dimming control
- Works with ballasts or LED drivers
- Adjustable ramp up and fade down times
- High inrush stability zero crossing circuitry for reliable, long-life
- operation catching relay is durable for all load

Daylight Harvest Function

This function inside the motion sensor to achieve trilevel control, for some areas which require a light change notice before switch-off. The sensor offers 3 levels of light: 100%-->dimmed light (natural light is insufficient)-->off; And 2 periods of selectable waiting time: motion hold-time and stand-by period; Selectable daylight threshold and freedom of detection area.



ON-OFF MODE

The microwave sensor to achieve tri-level dimming control, for some areas that require a light change notice before switch off.



With sufficient ambient light, the sensor does not switch on the lamp.



With insufficient ambient light, the sensor switches on the lamp when motion is detected.



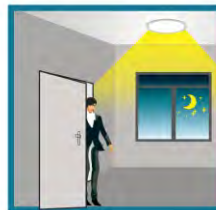
After hold time, the lamp gradually dims down if no motion detected.

3-STEP DIMMING MODE

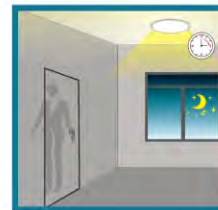
It offers 3 levels of the light Control: 100%--dimming light (0,10%,30%,50%) -- off; and 2 periods of selectable waiting time: motion hold-time and stand-by time. Selectable daylight threshold and choice of detection area.



With sufficient ambient light, the sensor does not switch on the lamp.



With insufficient ambient light, the sensor switches on the lamp when motion is detected.



After hold time, the sensor dims the lamp at a low light level if no new motion trigger.



After stand-by period, the sensor switches off the lamp if no motion is detected in its detection zone.

OPTIONAL EM BATTERY

When the AC power goes out, the emergency driver detects the AC power outage and automatically switch to the working emergency mode. The green LED light off. When the AC power is restored, the emergency driver backs to AC power working and starts re-charging, the green LED light on.

Features

- Meet most of safety standards for lighting
- Battery protections over charge protection over discharge protection short circuit protection
- Standard CSA C22.2 NO.141、UL924
- External Li-ion, LiFePO4 or Ni-MH battery
- The batteries Meet 500 cycles of standard CH and standard DCH
- Indicator shows a variety working modes
- RoHS compliant
- Standard 1.5 hours (2 hrs, 3hrs for options)

Specifications

- Input Voltage: 100-277Vac,50/60Hz
- AC Input Current: 100mA max.
- AC Input Power Rating: 7.0W max.
- Output Current and Voltage: 25-48Vdc
- Output Power: 8W /15W
- Emergency Time: ≥1.5H
- Full Warranty: 5 Years
- Test Switch Indicator Light
- Illuminated Test Switch,indicator Light

