



SBA Series

UFO LED High Bay



SBA

UFO LED High Bay



Industrial LED UFO high bay lighting fixture feature smaller sizes with more efficient than the traditional high bay lights. Moreover, high light efficacy 140 LPW of high bay lights can deliver efficient, uniform for commercial, industrial, retail, and plant, etc.

They also can be backup with battery to provide 90~180 minutes of runtime when the power goes out.

UFO LED High Bay Light

IP 66 | Motion Control | Emergency

| | |
|----------|------|
| Catalog# | Type |
| Comment | |
| Project | Date |

DESCRIPTION

UFO LED High Bay Light is made of polycarbonate lens for any application requiring high lumen output and minimum maintenance. The rugged, die-casting aluminum housing and sealed and gasket optics compartment combine to make LED light virtually impenetrable to contaminants. LED high bay light fixture can get the light intensity up to 400W Metal halide fixture for warehouse, parking lot lighting, plant lighting and other lighting applications.

CONSTRUCTION & MATERIALS

- ◆ High-duty die-casting aluminum alloy housing, fully sealed to be dirt and bug proof
- ◆ Impact-proof PC lens
- ◆ IP 66 rating waterproof protection
- ◆ Black polyester powder-coated finish
- ◆ Flicker free
- ◆ Stainless steel wire protection
- ◆ Impact Rated: IK08

EMERGENCY OPTION

- ◆ UL 924 & CEC title 20 compliant
- ◆ Charge time: 24 hrs
- ◆ Emergency time: 90~180 minutes
- ◆ Charge cycle: >500 times
- ◆ Work Temp. -22°F~+122°F (-30°C~50°C). Especial temperature will be consulted. *

MOUNTING AND WIRING

- ◆ Chain mount/Surface mount

ENVIRONMENTAL SYSTEM

- ◆ Indoor/Outdoor, wet/damp location

ELECTRICAL SYSTEM

- ◆ Input voltage 100-277VAC
- ◆ ETL/cETL, CE/RoHS.

OPTICAL SYSTEM

- ◆ 140~160 lm/w output efficacy
- ◆ Color temperature: 3000K, 4000K, 5000K and 5700K. Other color temperature available for special order, consult factory for lead time.
- ◆ Std. 120° beam angle (60°/90° Available)

LIGHTING CONTROL

- ◆ Std. 0-10vdc dimming
- ◆ Microwave motion sensor smart control

WARRANTY

- ◆ 5 Years

STANDARD

- ◆ EN61347-1, EN61347-2-13, EN60598-2-1, EN60598-1
- ◆ UL 924, UL 1598, CAN/CSA -C.22.2 NO. 250.0,



DATA SHEET

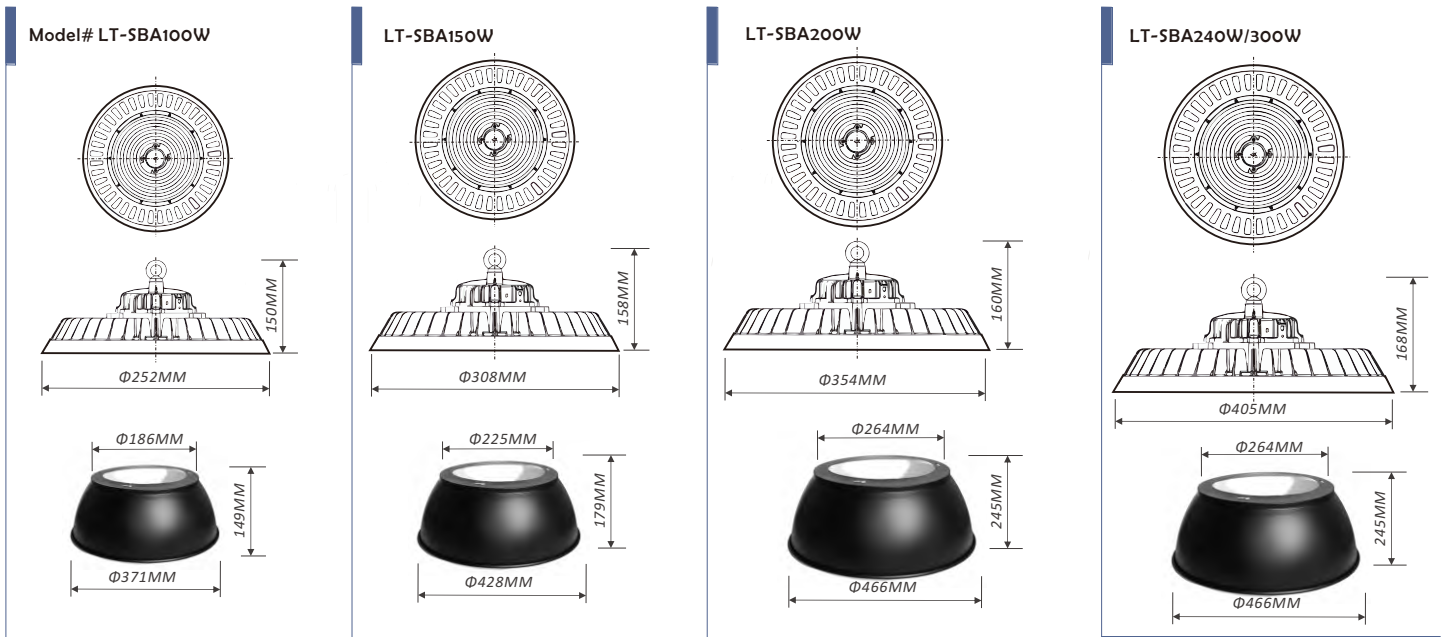
| Model# | LT-SBA80W LT-SBA100W | LT-SBA120W LT-SBA150W | LT-SBA160W LT-SBA200W | LT-SBA240W LT-SBA300W |
|--------------------|-------------------------|--------------------------|--------------------------|--------------------------|
| Rated Power | 80W/100W | 120W/150W | 160W/200W | 240W/300W |
| Output Efficacy | 140 ~160 LPW | 140 ~160 LPW | 140 ~160 LPW | 130 ~150 LPW |
| CRI | >80 | >80 | >80 | >80 |
| Beam Angle | 60°/90°/120° | 60°/90°/120° | 60°/90°/120° | 60°/90°/120° |
| Dimension | Ø252X165 mm | Ø308X176 mm | Ø354X180 mm | Ø405X180 mm |
| L70 Life | >50,000hrs | >50,000hrs | >50,000hrs | >50,000hrs |
| Battery | Lithium/Ni-MH | Lithium/Ni-MH | Lithium/Ni-MH | Lithium/Ni-MH |
| Duration (minutes) | 90 (120/180 Options) | 90 (120/180 Options) | 90 (120/180 Options) | 90 (120/180 Options) |
| Equivalent | 250W MH | 400W MH | 600W MH | 1000W MH |
| Surge Protection | 4-6 KV | 4-6 KV | 4-6 KV | 4-6 KV |
| Certificate | ETL/cETL, CE/RoHS | ETL/cETL, CE/RoHS | ETL/cETL, CE/RoHS | ETL/cETL, CE/RoHS |

ORDER INFORMATION

Sample Number: LT-SBA150W-27K-MV-BT-EM-Std.-90D

| Com. | Series | Wattage | CCT | Work Voltage | Control Mode | Duration (EMH Mode) | Beam Angle |
|------|--------|---------|-------|--------------|--------------|--|----------------------------------|
| LT | SBA | 80W | 2700K | Blank | 0-10VDC Dim | Std.=90 Min. 2H =120 Min. 3H =180 Min. | Blank 120° 90D 90° 60D 60° |
| | | 100W | 3000K | MV | DAU Dim | | |
| | | 120W | 4000K | HV | Photocell | | |
| | | 150W | 5000K | | MS | Motion sensor | |
| | | 160W | 5700K | | EMH | Emergency Kit(Field-Assm) | |
| | | 200W | | | EM | Emergency Kit(Factory-Assm) | |
| | | 240W | | | | | |
| | | 300W | | | | | |

DIMENSION



MOTION SENSOR

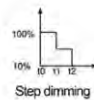
Remote Controller Model# RC-100



ON/OFF function

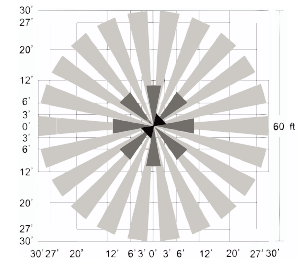
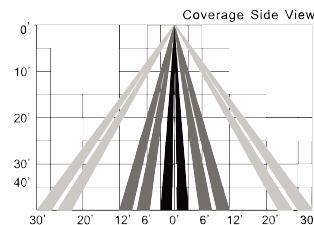


Daylight harvesting



3-step dimming function

SENSOR COVERAGE



DAYLIGHT (ON/OFF)

- Stand-by period adjustable: 1min / 30min / 1h / infinity 0% / 20% / 30% / 50%
- Holding Time adjustable: 5s / 1min / 5min / 10min / 15min / 20min / 30min / 1h

OPTIONAL EM BATTERY

When the AC power goes out, the emergency driver detects the AC power outage and automatically switch to the working emergency mode. The green LED light off. When the AC power is restored, the emergency driver backs to AC power working and starts re-charging, the green LED light on.

- Standard CSAC22.2 N0.141, UL924, IP65
- Selectable emergency power 20W, 25W, 30W, 40W
- Universal input (100-347VAC)
- Built-in Lithium Battery
- Battery protections over charge protection over discharge protection short circuit protection
- The batteries meet 500 cycles of standard charge and discharge
- CEC Title 20
- Full Warranty 5 Years

- Emergency Time: > 1.5 Hrs
- Illuminated Test Switch: Low Voltage, Indicator lamp
- Battery Charging Current: 250mA
- Recharge Time: 24Hours
- Temperature Rating (Ambient)
- Li-ion 0°C to 50°C (32°F to 122°F)
- Output Voltage: 25-48VDC (Factory Assembly)
- 175VAC (Field Assembly)

Field Assembly (25W, 40W)



Factory Assembly (20W, 30W)

UFO LED High Bay Light

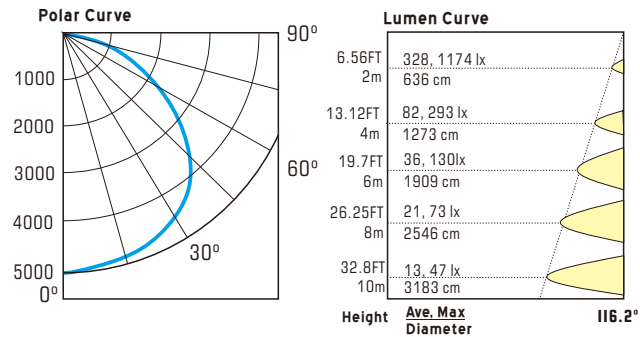
IP 66 | Motion Control | Emergency

| | |
|----------|------|
| Catalog# | Type |
| Comment | |
| Project | Date |

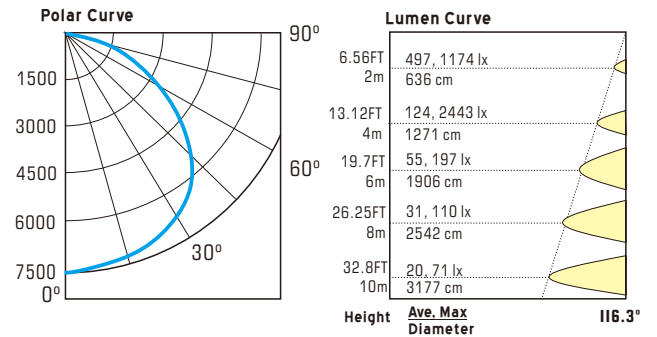
| PACKAGE | | | | | | |
|---------|-----------------|---------------------|------------|-------------|---------|----------------------|
| NO. | Model# | Carton Size (LXWXH) | N.W. / CTN | G. W. / CTN | QTY/CTN | Reflector |
| 1 | LT-SBA80W/100W | 34X34X15 cm | 1.80 Kg | 2.30 kg | 1pc | 42X42X29CM/15PCS/CTN |
| 2 | LT-SBA120W/150W | 36x36x17 cm | 2.20 Kg | 2.80 Kg | 1pc | 47X47X32CM/15PCS/CTN |
| 3 | LT-SBA160W/200W | 41X41X17 cm | 3.0 Kg | 3.70 Kg | 1pc | 51x51x32cm/12PCS/CTN |
| 4 | LT-SBA240W/300W | 45x45x18 cm | 4.10 Kg | 4.90 Kg | 1pc | 51x51x32cm/12PCS/CTN |

PHOTOMETRICS

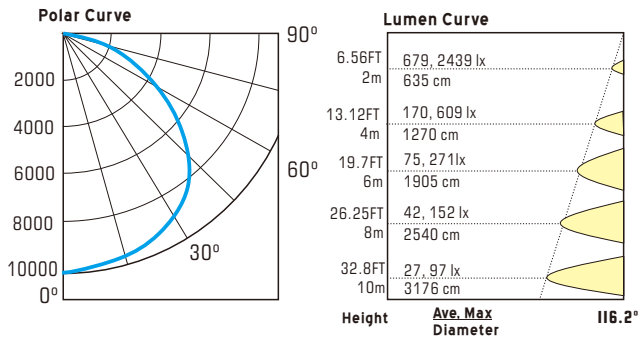
MODEL# LT-SBA100W-120D 98W, 13442 lm



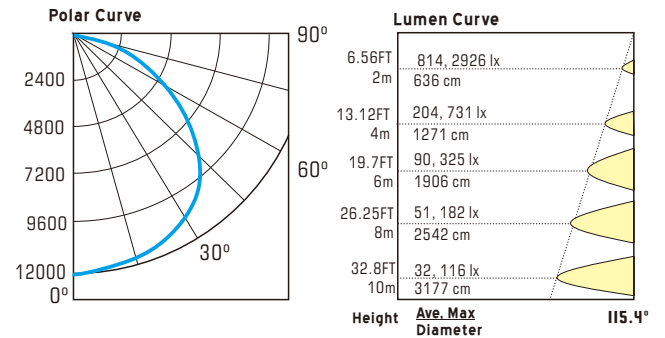
MODEL# LT-SBA150W-120D 144.4W 20485.7 lm



MODEL# LT-SBA200W-120D 199W 28009 lm

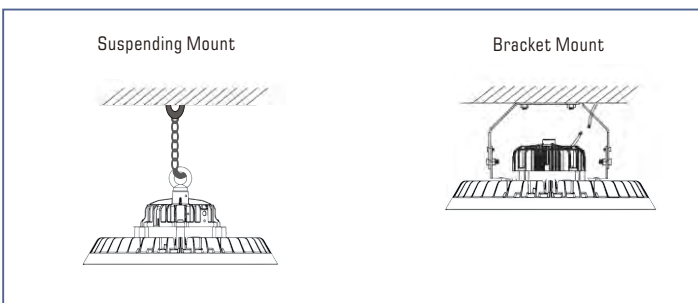


MODEL# LT-SBA240W-120D 238.4W 31470 lm



MOUNT GUIDE

This UFO led high bay light is easily installed to the ceiling with a built-in ring. No hard-wiring is needed. A lot of time and labor costs will be saved. Mount height is for installation reference.



| | | |
|----------------|-------------------------------------|--|
| 18'-20' | 240W (32400 LM) Replace 1000W MH | |
| 16'-18' | 200W (28000 LM) Replace 600W MH | |
| 14'-16' | 150W (18200 LM) Replace 400W MH | |
| 10'-14' | 100W (14800 LM) Replace 250W MH | |

120° BEAM ANGLE
Base on 40-50 fc on the ground