



LBA SERIES
Linear LED High Bay



LBA SERIES

LED High Bay Light



Tired of stocking ten different fixtures for ten different jobs? Stop compromising and start customizing. Our latest LED Linear High Bay is the most versatile industrial fixture on the market, designed to adapt to any environment—from high-clearance warehouses to precision manufacturing floors.

LINEAR LED HIGH BAY

Adjustable Beam Angle | Emergency Backup

Catalog#	Type
Comment	
Project	Date

DESCRIPTION

Discover the ultimate lighting solution with our LED Linear High Bay Lights, designed to meet diverse commercial and industrial needs. Featuring 3-CCT, power, and beam angle selectability, these lights offer unparalleled flexibility to customize your lighting environment. With advanced APP and Bluetooth control capabilities, managing your lighting system has never been easier. For added convenience and safety, a wire guard and optional emergency backup are available. Backed by a comprehensive 5-year warranty, our LED Linear High Bay Lights deliver reliable performance and energy efficiency, making them the ideal choice for your lighting requirements.

CONSTRUCTION & MATERIALS

- High-duty die-casting aluminum alloy housing, fully sealed to be dirt and bug proof
- Impact-proof PC lens cover
- IP 20 rating waterproof protection
- White polyester powder-coated finish
- Flicker free
- Wire guard
- Impact Rated: IK08

EMERGENCY OPTION

- UL 924 & CEC title 20 compliant
- Charge time: 24 hrs
- Emergency time: 90~180 minutes

MOUNTING AND WIRING

- Chain mount, 1/2" NPT, Pole mount

ENVIRONMENTAL SYSTEM

- Indoor dry location

WARRANTY

- 5 Years

ELECTRICAL SYSTEM

- Input voltage 120-277/347/480 VAC
- ETL/cETL, CE/RoHS.

OPTICAL SYSTEM

- 140 lm/w output efficacy
- Color temperature: 3000K, 4000K, 5000K and 5700K. 3CCT adjustable on-site
- Std. 120° beam angle or 3-angles adjustable on-site: 65°x95°, 90°x90°, 45°x100°.

LIGHTING CONTROL

- 0-10vdc /DALI dimming
- Microwave motion sensor smart control
- APP/Bluetooth control
- Zhaga book18 or 3.5mm Phono Jack dimming sensor

STANDARD

- EN61347-1, EN61347-2-13, EN60598-2-1, EN60598-1
- UL 924, UL 1598, CAN/CSA -C.22.2 NO. 250.0,
- EN55015, EN61547, EN61000-3-2/3, FCC part 15, ICES-005



DATA SHEET

Model#	LT-LBA150	LT-LBA150-C	LT-LBA200	LT-LBA200-C	LT-LBA300	LT-LBA300-C
Rated Power	150W	ADJ.80W-120W-150W	220W	ADJ. 140W-180W-220W	300W	ADJ. 200W-250W-300W
PF	>0.90	>0.90	>0.90	>0.9	>0.9	>0.9
Lumen Output (@5K)	21,000 lm	12,000-21,000 lm	28,000 lm	21,000-31,000 lm	42,000 lm	28,000-42,000 lm
CRI	>80	>80	>80	>80	>80	>80
Finish	White	White	White	White	White	White
Beam Angle	120°, N35, N45, N55	ADJ.N35-N45-N55	120°, N35, N45, N55	ADJ.N35-N45-N55	120°, N35, N45, N55	ADJ.N35-N45-N55
CCT	30K,40K,50K,57K,ADJ.	ADJ.30K-40K-50K	30K,40K,50K,57K,ADJ.	ADJ.30K-40K-50K	30K,40K,50K,57K,ADJ.	ADJ.30K-40K-50K
Dimension (LXWHW)	312x245x66 mm	312x245x66 mm	420x245x66 mm	420x245x66 mm	480x288x66 mm	480x288x66 mm
L90 Life @25°C	>100,000hrs	>100,000hrs	>100,000hrs	>100,000hrs	>100,000hrs	>100,000hrs
THD	<20%	<20%	<20%	<20%	<20%	<20%
Work Temp.	-10°C~+45°C	-10°C~+45°C	-10°C~+45°C	-10°C~+45°C	-10°C~+45°C	-10°C~+45°C
Certificate	ETL/cETL,CE/RoHS	ETL/cETL,CE/RoHS	ETL/cETL,CE/RoHS	ETL/cETL,CE/RoHS	ETL/cETL,CE/RoHS	ETL/cETL,CE/RoHS

ORDER INFORMATION

Sample Number: LT-LBA150-40K-M-N45-DM/EM-2H

Com	Series	Wattage	CCT	Adjustable	Voltage	Beam Angle	Control Mode	Duration (EM)
LT	LBA	150 =150W 200 =220W 300 =300W	30K=3000K 40K=4000K 50K=5000K 57K=5700K 3CT=30K-40K-50K Selectable	C=ADJ. Wattage/CCT/Be am Angle	Blank=120-277VAC M= 120-347VAC H= 120-480VAC	Blank=120° N35=45°x100° N45= 65°x95° N55=90°x90°	DM=0-10vdc Dim DA=DALI Dim PC= Photocell MS= Motion sensor AP= APP/Bluetooth Control EM= Emergency Backup	STD=90 MIN. 2H= 120 MIN. 3H= 180 MIN.

LINEAR LED HIGH BAY

Adjustable Beam Angle | Emergency Backup

Catalog#

Type

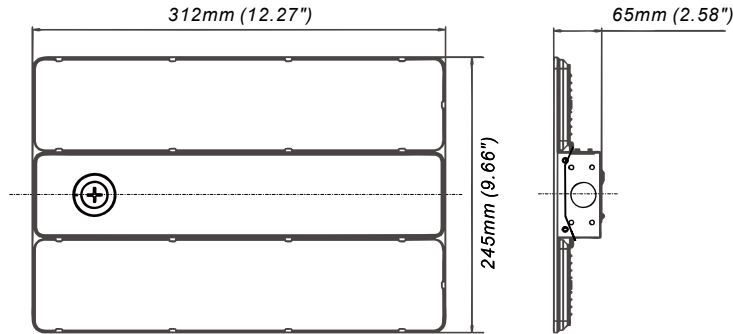
Comment

Project

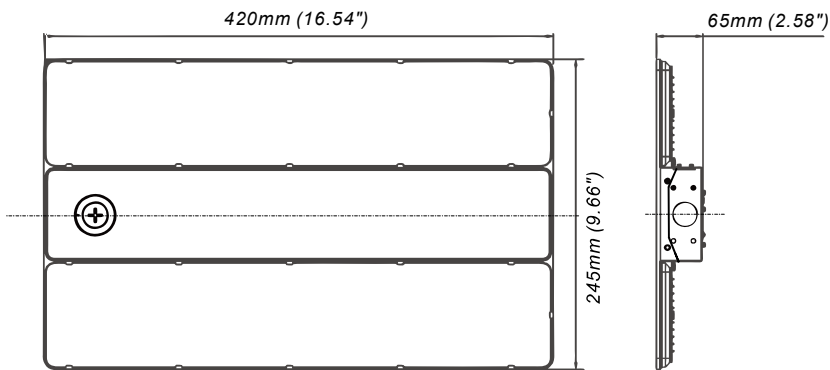
Date

DIMENSION

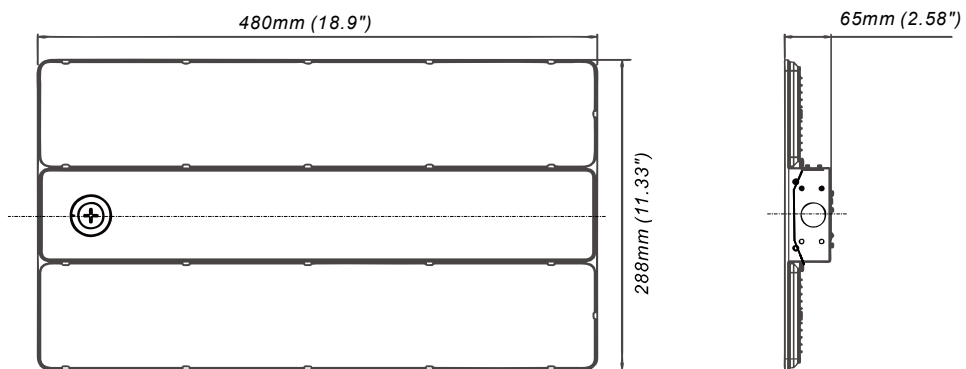
Model#
LT-LBA150
LT-LBA150C



Model#
LT-LBA200
LT-LBA200C



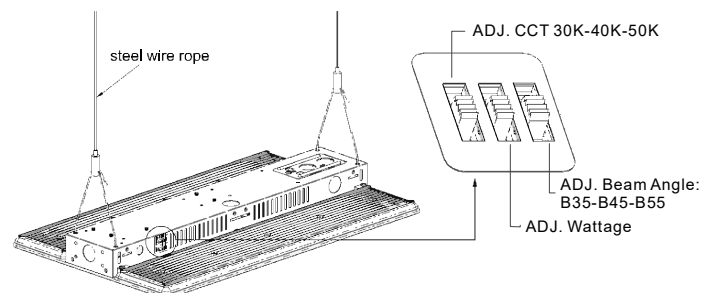
Model#
LT-LBA300
LT-LBA300C



PACKAGE

MODLE#	Gross Weight	Master Carton
LT-LBA150	2.6 Kg (5.8 lbs)	38x31x13 cm
LT-LBA200	4.4 Kg (9.8 lbs)	49x31x13 cm
LT-LBA300	5.8 Kg (12.9 lbs)	55x31x13 cm

ADJ. Wattage/CCT/Beam Angle

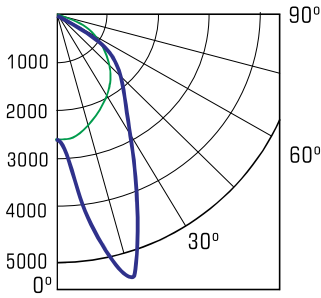


LINEAR LED HIGH BAY

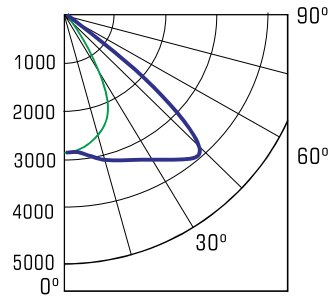
Adjustable Beam Angle | Emergency Backup

Catalog#	Type
Comment	
Project	Date

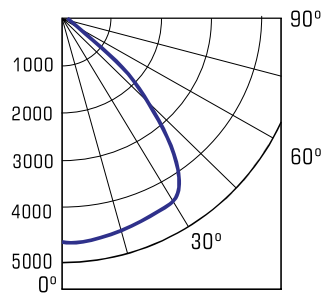
PHOTOMETER



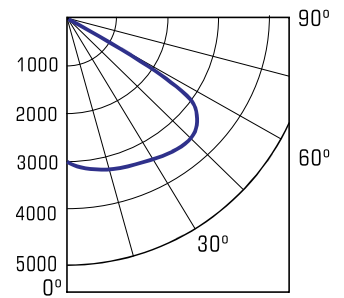
B35=45°X100°



B45=65°X95°



B55=90°X90°

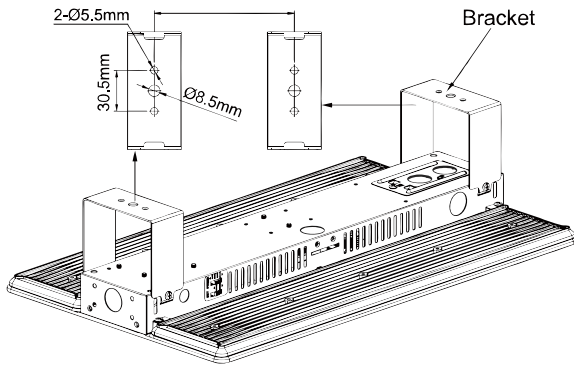


Standard=120°

ACCESSORIES

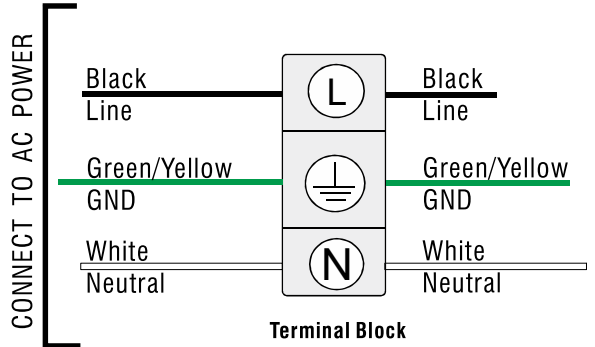


OPTIONAL SURFACE MOUNT WAY (SB)

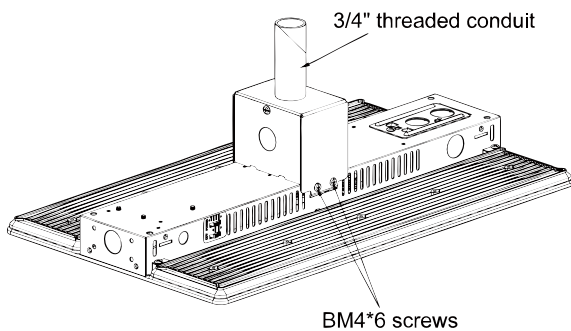


WIRE DIAGRAM

Wire Diagram



OPTIONAL CONDUIT MOUNT WAY (TC)



Emergency Wire Diagram (Switch)

