



PTE Series

LED Post Top



PTF

LED POST TOP



Bring a touch of classic charm and cutting-edge technology to your streets with our Acorn-style LED Post Top Lights. These fixtures combine the timeless elegance of the acorn design with the unmatched performance and efficiency of LED lighting, making them the perfect choice for illuminating streets, parks, plazas, and more.

POST TOP LED LIGHT

CCT & Wattage Selectable | Up to 170 LPW

DESCRIPTION

Lightide acorn style Post Top LED Lights feature classic profile and CCT & wattage field selectable. Black powder-coating finished housing especially are suitable for outdoor corrosion and wet/ damp location. 5 years warranty guarantee long application for garden, road, parking lot lighting, square and other positions.

CONSTRUCTION & MATERIALS

- ◆ High-duty die-casting aluminum alloy housing
- ◆ LED Module design, easy maintenance
- ◆ Tempered glass cover, Polycarbonate lens
- ◆ Polyester powder-coated finish, rust and corrosion proof, stabilized to extreme climate changes without cracking or peeling
- ◆ Fit for Ø76mm (Ø3") of pole

ENVIRONMENTAL SYSTEM

- ◆ IP 65 rated waterproof
- ◆ Used for outdoor wet/damp location

FINISH

- ◆ Black

ELECTRICAL SYSTEM

- ◆ Input voltage 120-277/347VAC, 50/60Hz
- ◆ 200-480vac available
- ◆ DLC, ETL/cETL listed,
- ◆ ENEC, CB, CE/RoHS

OPTICAL SYSTEM

- ◆ 140-170 lumens/watt
- ◆ Color temperature: 3000K, 4000K, 5000K, 5700K. Other color temperature available for special order, consult factory for lead time.
- ◆ CCT Field-Selectable 3000K-4000K-5000K
- ◆ Type II, III, IV, V, 120deg.

LIGHTING CONTROL

- ◆ 0-10vdc dimming available
- ◆ Meet 4-6KV surge immunity level (IEC 61000-4-5)
- ◆ Photocell for dusk-dawn work mode available

WARRANTY

- ◆ 5 Years

STANDARD

- ◆ EN61347-1, EN61347-2-13, EN60598-2-1, EN60598-1
- ◆ UL 924, UL 1598, CAN/CSA -C.22.2 NO. 250.0,



PHOTOCELL ACCESSORY



DATA SHEET

Model#	LT-PTE030	LT-PTE050	LT-PTE080	LT-PTE100	LT-PTE150
Rated Power	30W	50W	80W	100W	150W
ADJ. Power	—	ADJ. 30W-40W-50W	—	ADJ. 60W-80W-100W	ADJ. 100W-120W-150W
Lumen Output	5,100 LM	8,100 LM	12,400 LM	15,000 LM	21,000 LM
Input Voltage	120-277/347VAV	120-277/347VAV	120-277/347VAV	120-277/347VAV	120-277/347VAV
Power Factor	>0.90	>0.90	>0.90	>0.90	>0.90
Color Temperature	30K,40K, 50K, 57K	30K,40K, 50K, 57K, ADJ.	30K,40K, 50K, 57K	30K,40K, 50K, 57K, ADJ.	30K,40K, 50K, 57K, ADJ.
CRI	>80	>80	>80	>80	>80
L70	>50,000 hrs	>50,000 hrs	>50,000 hrs	>50,000 hrs	>50,000 hrs
Operating Temp.	-40°F to 113°F	-40°F to 113°F	-40°F to 113°F	-40°F to 113°F	-40°F to 113°F
Installation	Diameter 3" (76mm) Pole	Diameter 3" (76mm) Pole	Diameter 3" (76mm) Pole	Diameter 3" (76mm) Pole	Diameter 3" (76mm) Pole

ORDER INFORMATION

Sample Number: LT-PTE100-M-PC

Com.	Series	Wattage	CCT	Voltage	Control Mode
LT	PTE	030 =30W 050 =50W 080 =80W 100 =100w 150 =150W	30K=3000K 40K=4000K 50K=5000K 60K=6000K T = 30K-40K-50K Selectable	Blank=120-277VAC M =120-347VAC H =200-480VAC	DM=0-10VDC Dimming PC=Photocell

POST TOP LED LIGHT

CCT & Wattage Selectable | Up to 170 LPW

Catalog#

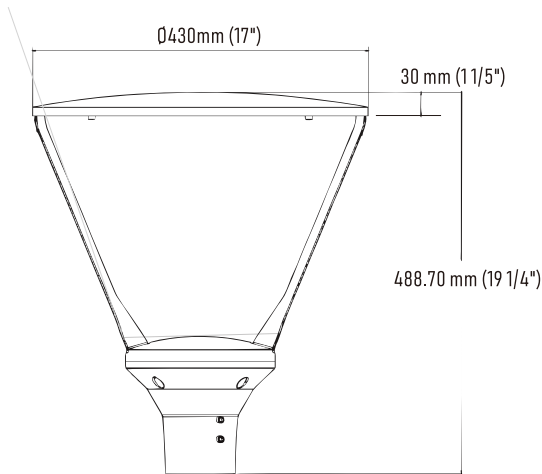
Type

Comment

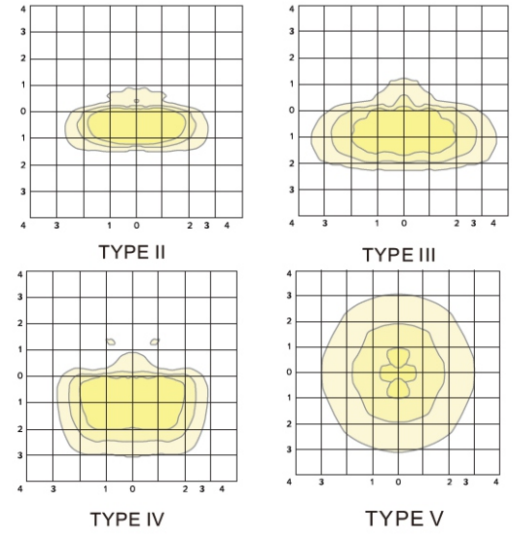
Project

Date

DIMENSION (MM)



PHOTOMETER



PACKAGE

Model#	QTY/ Carton	N. W.	G. W.	Carton Size	40' GC Loading
LT-PTE Series	1 piece	6.20 Kg	7.5 Kg	58X48X30 cm	188

MOUNT ADAPTER

Depending on the type of light, you may need to have the right mounting-option available too. You can also buy Tenon Adaptor, Bullhorns and Spoke from us, suitable for wooden, metallic, or concrete poles - square or round.

<h4>Bullhorn Style</h4>	<p>RPB04SV Tenon</p>	<p>RPB04L2V Twin Bullhorn</p>	<p>RPB04L3V Triple Bullhorn</p>	<p>RPB04L4V Quad Bullhorn</p>
<h4>Spoke Style</h4>	<p>RPS04T2V Twin Spoke</p>	<p>RPS04T2H Twin Spoke</p>	<p>RPS04T3H Triple Spoke</p>	<p>RPS04T4H Quad Spoke</p>